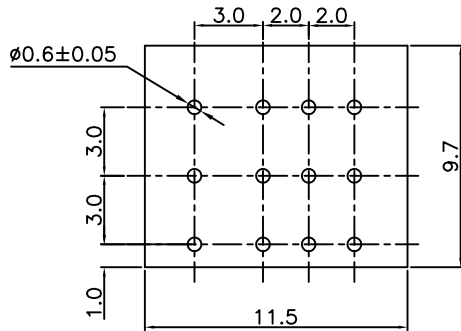
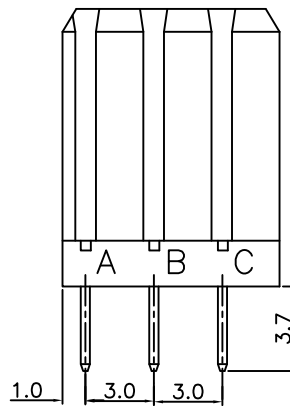
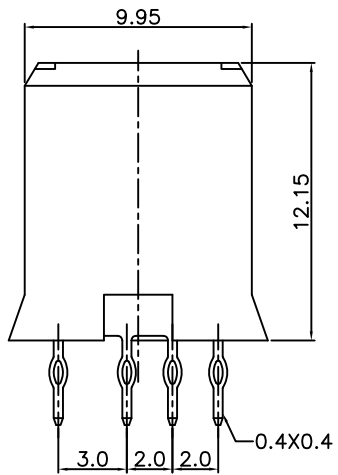
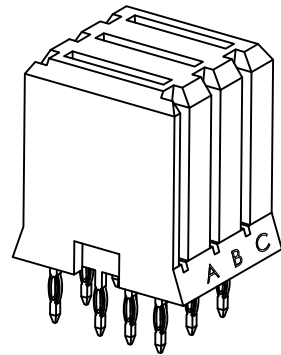
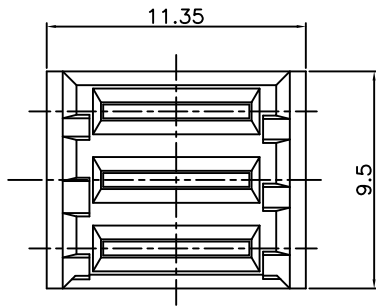
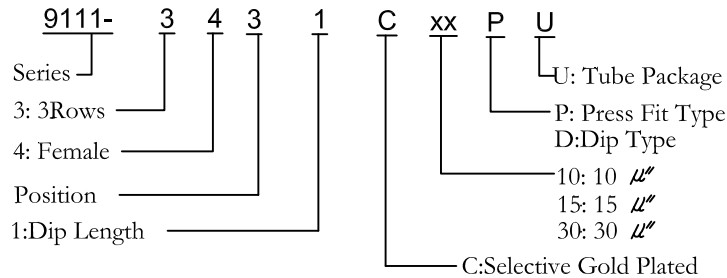


REV.	SPECIFICATION	ECN NO.	APPD.
R4		ECN171115	



P.C.Board Layout



**Material:**

Housing: High Temperature Plastic UL94V-0.  
 Contacts: Copper Alloy

**Electrical Characteristics:**

Current Rating: 15 AMP.  
 Dielectric Withstanding Voltage: AC 1000V For 1 minute.  
 Insulator Resistance: 10000MΩ min. at DC 500V.  
 Contact Resistance: 20mΩ max. at DC 100mA.  
 Operating Temperature: -55°C ~ +125°C .

**\*RoHS Compliant**

Tolerances	Dwg. No.	9111D34001		Title:	
x = ±0.5	Projection	⊕ ◀		9111 Series	
.x = ±0.25	Unit	mm	Scale	Female Power Modules	
.xx = ±0.15	Drawn By	MXM	11/08'17	Press Fit Type	

Title:			
9111 Series			
Female Power Modules			
Press Fit Type			

<b>OUPIN</b>			
OUPIN ELECTRONIC(KUNSHAN) CO., LTD.			
P/N: 9111-3431CxxPU			
SHEET	1/1	Ver.No.	R4