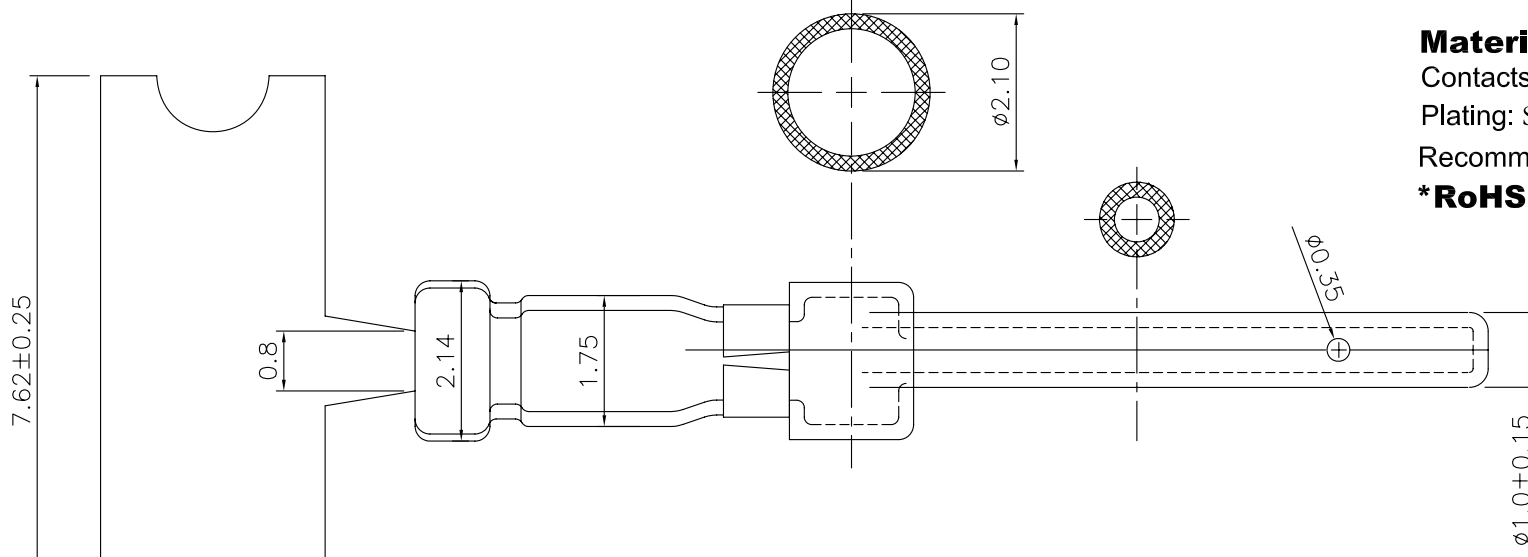
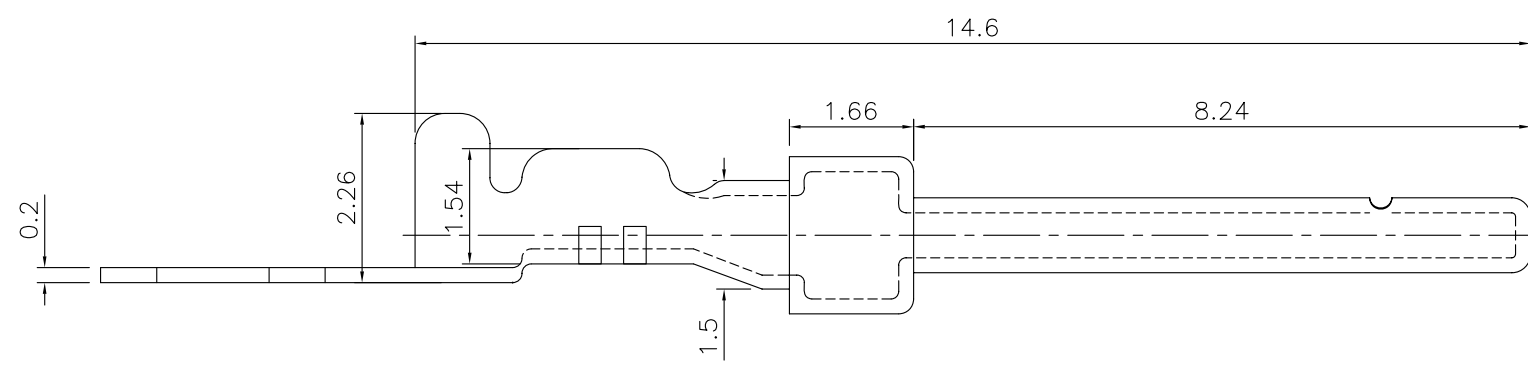


REV.	SPECIFICATION	ECN NO.	APPD.
A3			



**Material:**  
 Contacts: Copper Alloy.  
 Plating: Selective Gold Plated.  
 Recommend Wire: 24AWG to 26AWG.  
**\*RoHS Compliant**



7908- PIN- M- 10K  
 Series 10K Pins Per Reel M:Male

<b>Tolerances</b>	<b>Dwg. No.</b>	7908D01005		<b>Title:</b>		<b>OUPIN</b> OUPIN ELECTRONIC(KUNSHAN) CO., LTD.			
x = ±0.5	<b>Projection</b>	⊕ ⊖		7908 Series Male-Pin					
.x = ±0.25	<b>Unit</b>	mm	<b>Scale</b>	1:1		P/N: 7908-PIN-M-10K			
.xx = ±0.15	<b>Drawn By</b>	Peggy04/08'14		① 734		<b>SHEET</b>	1/1	<b>Ver.No.</b>	A4