

# 歐品電子(昆山)有限公司

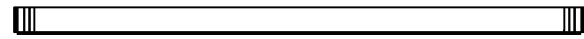
OUPIIN ELECTRONIC(KUNSHAN) CO.,LTD.

PACKAGING SPECIFICATION (包裝作業規範)

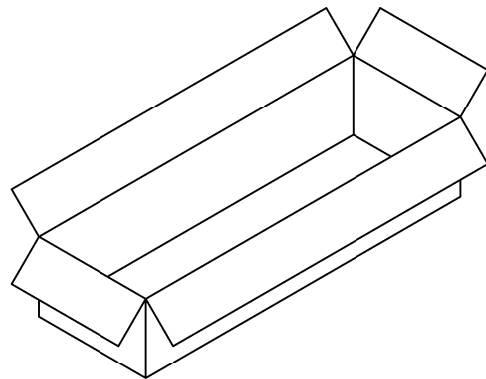
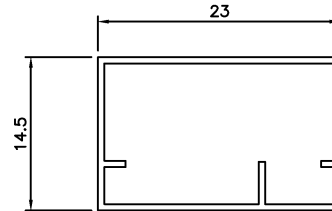
SPEC.NO.(規範編號)	8206SPP-RU	適用產品: 8206-120C10RU	PAGE	1/1	REV.	I720-A
----------------	------------	---------------------	------	-----	------	--------

PACKING OPERATION DIAGRAM & INSTRUCTION (包裝作業圖示及說明)

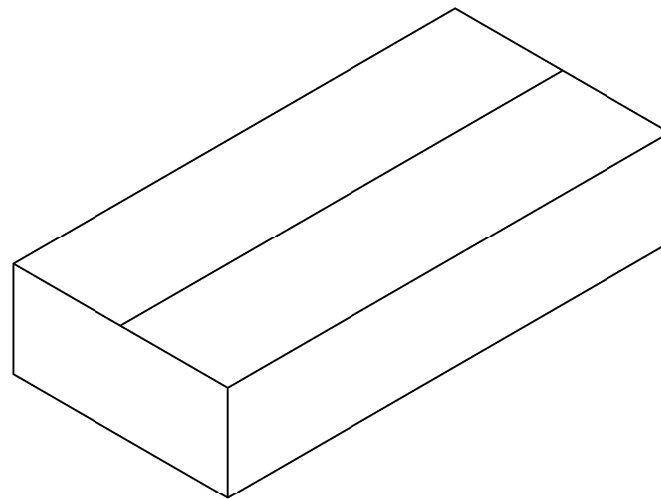
REMARK (備註)



Tube(L): 540(mm)



Inner box: 550(mm)X140(mm)X185(mm)  
55 Tube / Inner box



Carton: 580(mm)X300(mm)X200(mm)  
2 Inner box / Carton

**Packing:**  
6 Pcs/ Tube  
55 Tube/ Inner box  
660 Pcs/ Carton

**Carton:**  
N.W: 12.5KGS  
G.W: 14KGS

Drawn By: Jerry 02/10'20