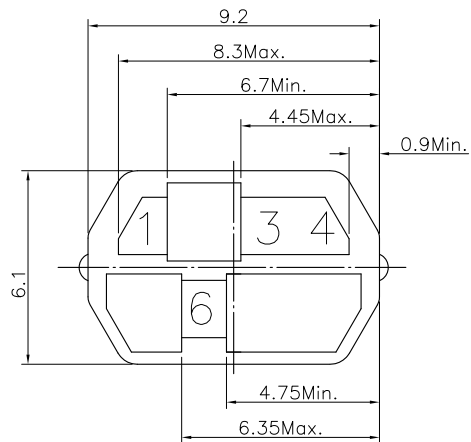


REV.	SPECIFICATION	ECN NO.	APPD.
R1			



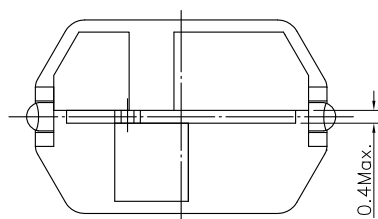
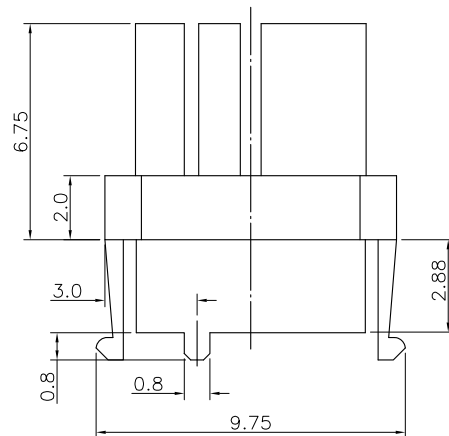
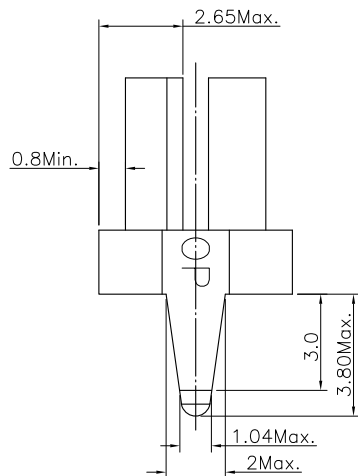
Material:

Housing: 30% Glass Filled PBT UL94V-0.

Electrical Characteristics:

Operating Temperature: -55°C ~ +105°C.

***RoHS Compliant**



9111- F K 1346 B
 Series — Female — Coding Key — Bulk Package — Key Position Type

Tolerances	Drawn No.	9111D02003		Title:	
x = ±0.5	Projection	⊕ ⊖		9111 Series	
.x = ±0.25	Unit	mm	Scale	1:1	
.xx = ±0.15	Drawn By	Liling 01/11'08		Female Coding Key	

OUPIN			
OUPIN ELECTRONIC(KUNSHAN) CO., LTD.			
P/N: 9111-FK1346B			
SHEET	1/1	Ver.No.	R1