

歐品電子(昆山)有限公司

OUPIIN ELECTRONIC(KUNSHAN) CO.,LTD.

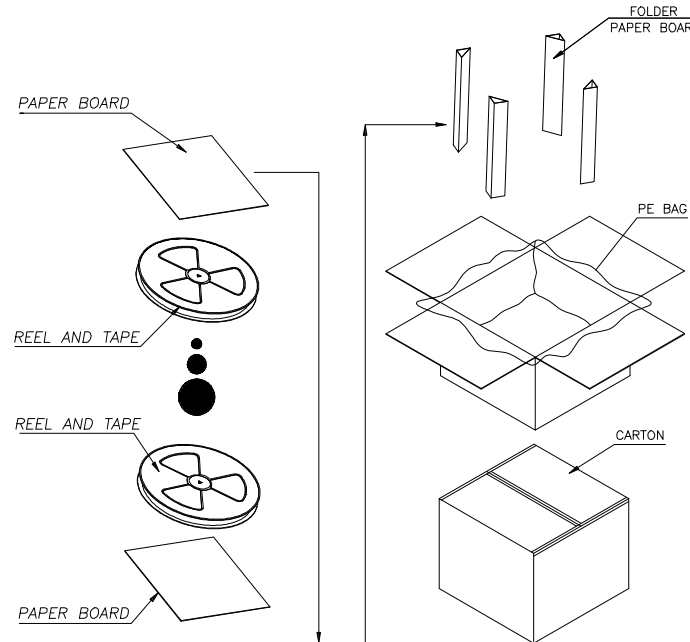
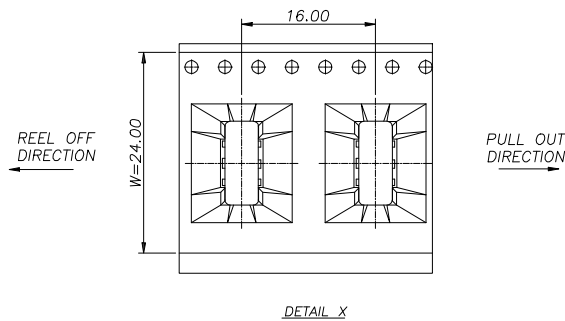
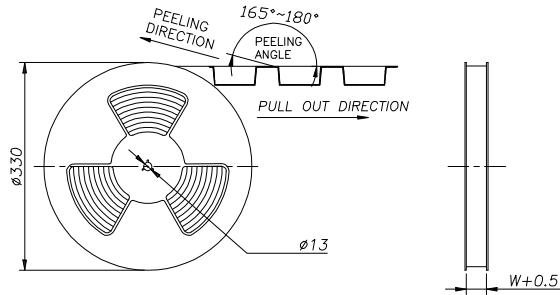
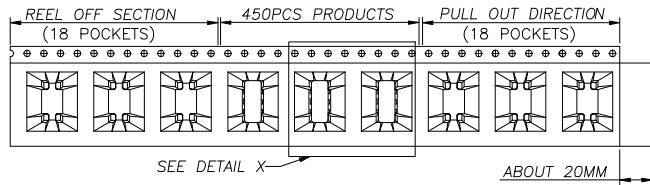
PACKAGING SPECIFICATION (包裝作業規範)

SPEC.NO.(規範編號)	8975SPP	適用產品: 8975A-C24C00DB8PT-P	PAGE	1/1	REV.	I676
----------------	---------	---------------------------	------	-----	------	------

PACKING OPERATION DIAGRAM & INSTRUCTION (包裝作業圖示及說明)

REMARK (備註)

Packing:
 450 Pcs/Tray
 10 Tray/Carton
 4500 Pcs/Carton



Drawn By: Martin 06/13'24