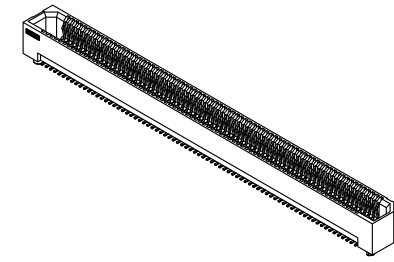
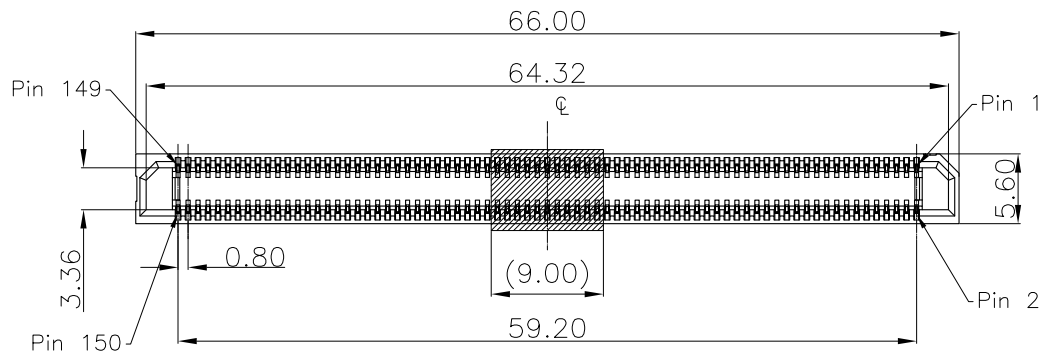


REV.	SPECIFICATION	ECN NO.	APPD.
X1			



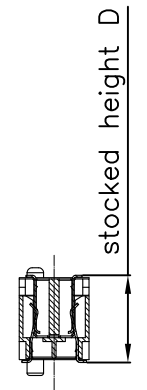
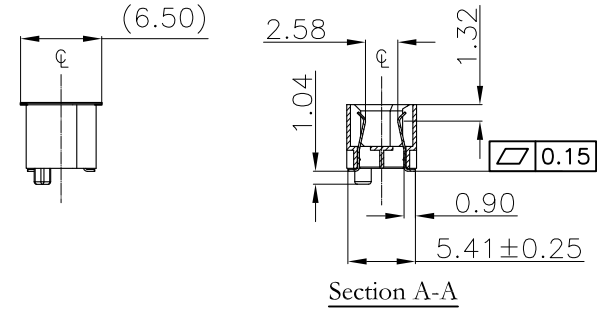
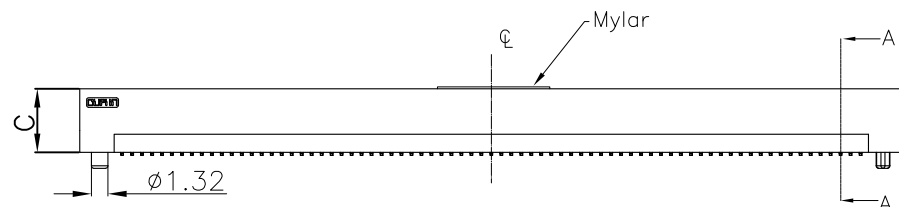
Material and Plating:

Housing: LCP, UL94V-0, BLACK.
 Contact: Nickel Copper.
 Gold Plated on Contact Area and 80u" Min Tin Plated on Solder Tail over Nickel 50u" Min.

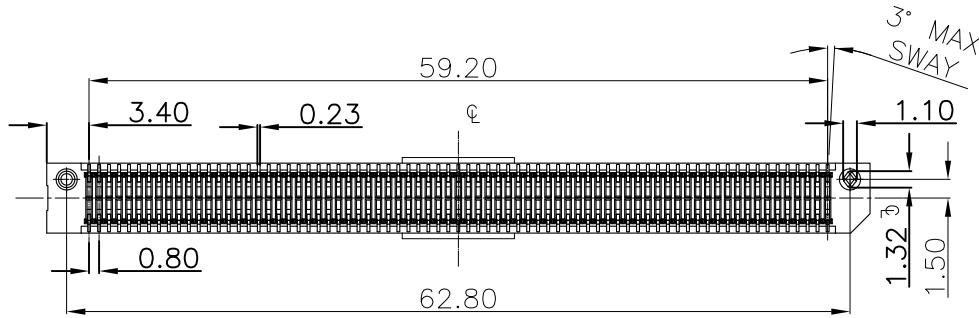
Electrical Characteristics:

Current Rating: 1.4 AMP.
 Dielectric Withstanding Voltage: AC 900V For 1 Minute.
 Insulator Resistance: 50000 MΩ Min.
 Contact Resistance: 25mΩ max.
 Operating Temperature: -55°C ~ +125°C.

***RoHS Compliant**



- 2386- 2 2 X 75 C 3 D 1 N T - S
- Series
- 2:Female Straight
- Double Row
- Position Per Row
- C: Selective Gold Plated
- 3: 10μ"
- 7: 30μ"
- D:SMD Type
- S: Mylar
- Blank: Without Mylar
- T: Tape&Reel Package
- N: Without lock
- 1:Code1
- 2:Code2
- 3:Code3
- 4:Code4



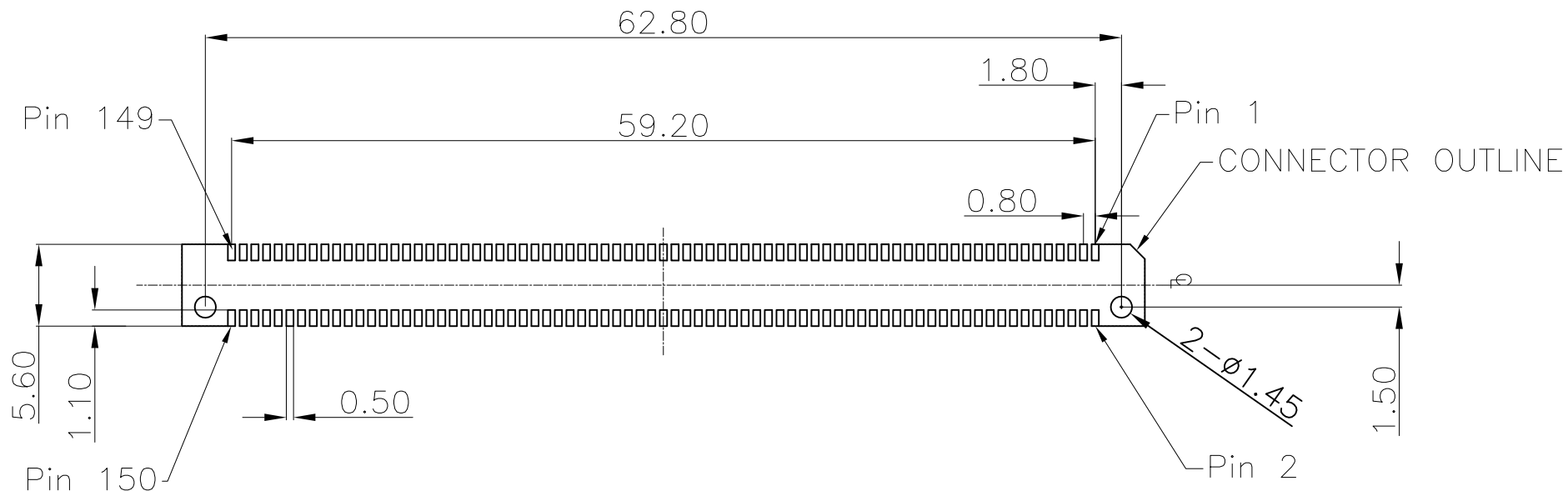
**Available Code																
Code	*1	2	3	4												
Height C	5.10	7.00	9.10	10.10												
Stacked Height D	*7.0	10.0	13.0	14.0	9.0	12.0	15.0	16.0	11.0	14.0	17.0	18.0	12.0	15.0	18.0	19.0

PROPOSAL ONLY

Tolerances	Dwg. No.	2386-D0000-014	Title:
x = ±0.5	Projection		2386 Series Female Straight
.x = ±0.25	Unit	mm	
.xx = ±0.15	Scale	1:1	
	Drawn By	WP 03/11'21	

OUPIN
 OUPIN ELECTRONIC(KUNSHAN) CO., LTD.
 P/N: 2386-22x75C3D1NT-S
 SHEET 1/2 Ver.No. X1

REV.	SPECIFICATION	ECN NO.	APPD.
X1			



Recommended PCB Layout
(Tolerance : ± 0.05)

PROPOSAL ONLY

Tolerances	Dwg. No.	2386-D0000-014		Title:		
x = ± 0.5	Projection			2386 Series Female Straight		
.x = ± 0.25	Unit	mm	Scale			1:1
.xx = ± 0.15	Drawn By	WP 03/11'21				



OUPIIN ELECTRONIC(KUNSHAN) CO., LTD.

P/N: 2386-22x75C3D1NT-S

SHEET	2/2	Ver.No.	X1
-------	-----	---------	----