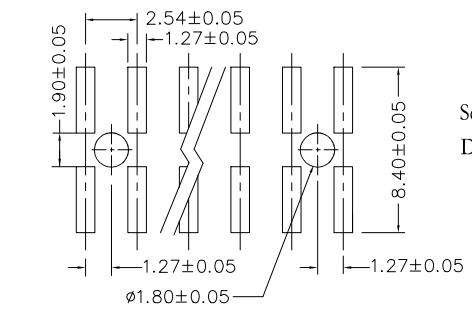
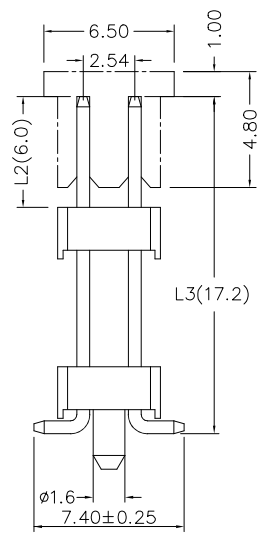
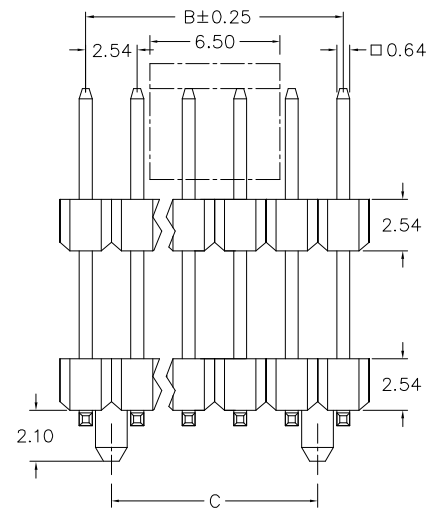
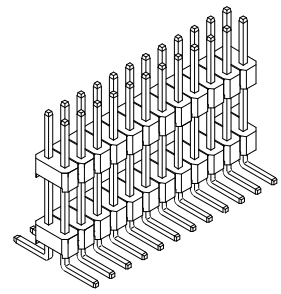
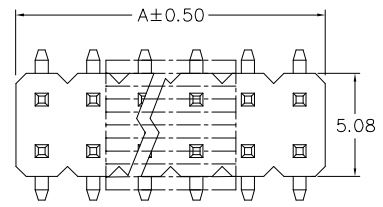


REV.	SPECIFICATION	ECN NO.	APPD.



P.C.Board Layout

2012- 2 X xx G xx D P -L2-L3 x -x
 Series: 2012-
 Double Row: 2
 No. of Pin Per Row: X
 G: Gold Plated
 00: Gold Flash
 10: 10u"
 15: 15u"
 30: 30u"
 D: SMD Type
 P: With Post
 -L2-L3: Mating Length (L2), Extended Length (L3)
 x: With Plastic Pad
 Blank: W/O Pad
 T: Tape & Reel Package
 U: Tube Package
 B: Bulk Package

Material:
 Housing: PA6T, UL94V-0, Black.
 Contacts: Brass, Gold Plated over Nickel 50u".
Electrical Characteristics:
 Current Rating: 2 AMP.
 Insulator Resistance: 1000MΩ min. at DC 500V.
 Contact Resistance: 20mΩ max. at DC 100mA.
 Operating Temperature: -40°C~+105°C.
***RoHS Compliant**

Dimension							
Positions	A	B	C	Positions	A	B	C
2X02	5.08	2.54	2.54	2X22	55.88	53.34	50.80
2X03	7.62	5.08	2.54	2X23	58.42	55.88	53.34
2X04	10.16	7.62	5.08	2X24	60.96	58.42	55.88
2X05	12.70	10.16	7.62	2X25	63.50	60.96	58.42
2X06	15.24	12.70	10.16	2X26	66.04	63.50	60.96
2X07	17.78	15.24	12.70	2X27	68.58	66.04	63.50
2X08	20.32	17.78	15.24	2X28	71.12	68.58	66.04
2X09	22.86	20.32	17.78	2X29	73.66	71.12	68.58
2X10	25.40	22.86	20.32	2X30	76.20	73.66	71.12
2X11	27.94	25.40	22.86	2X31	78.74	76.20	73.66
2X12	30.48	27.94	25.40	2X32	81.28	78.74	76.20
2X13	33.02	30.48	27.94	2X33	83.82	81.28	78.74
2X14	35.56	33.02	30.48	2X34	86.36	83.82	81.28
2X15	38.10	35.56	33.02	2X35	88.90	86.36	83.82
2X16	40.64	38.10	35.56	2X36	91.44	88.90	86.36
2X17	43.18	40.64	38.10	2X37	93.98	91.44	88.90
2X18	45.72	43.18	40.64	2X38	96.52	93.98	91.44
2X19	48.26	45.72	43.18	2X39	99.06	96.52	93.98
2X20	50.80	48.26	45.72	2X40	101.60	99.06	96.52
2X21	53.34	50.80	48.26				

Tolerances	Dwg. No.	2012D01017	
x = ±0.5	Projection		
.x = ±0.25	Unit	mm	Scale 1:N
.xx = ±0.15	Drawn By	Martin 01/02'25	

Title: 2012 Series
 Pin Header
 2.54mmX2.54mm
 Dual Insulator SMD Type
 325

 OUPIN ELECTRONIC(KUNSHAN) CO., LTD.			
P/N: 2012-2XxxGxxDP-L2-L3x-x			
SHEET	1/1	Ver.No.	A6