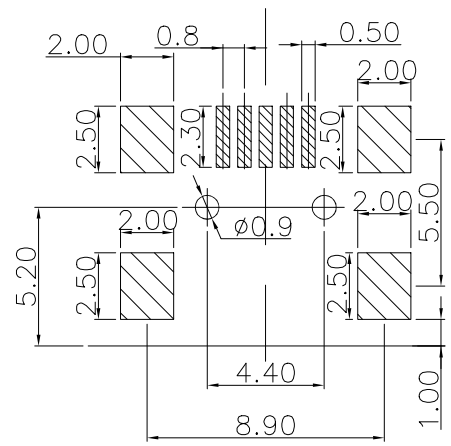
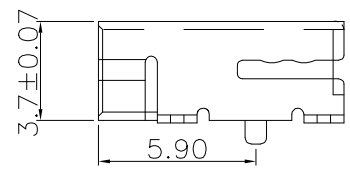
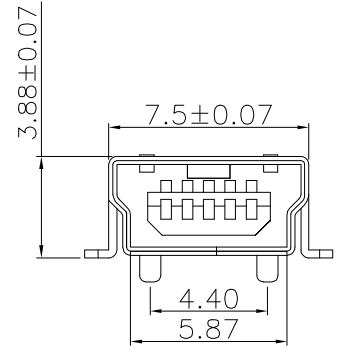
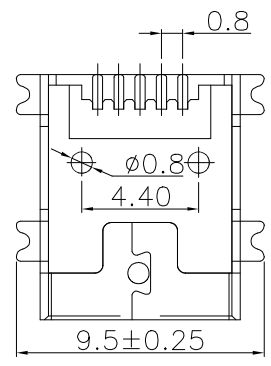
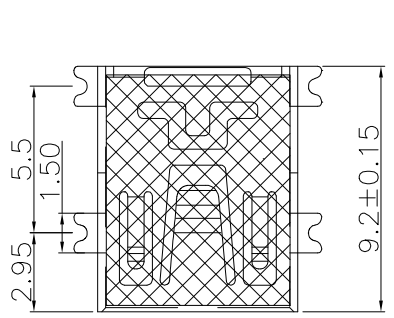


REV.	SPECIFICATION	ECN NO.	APPD.



P.C.Board Layout

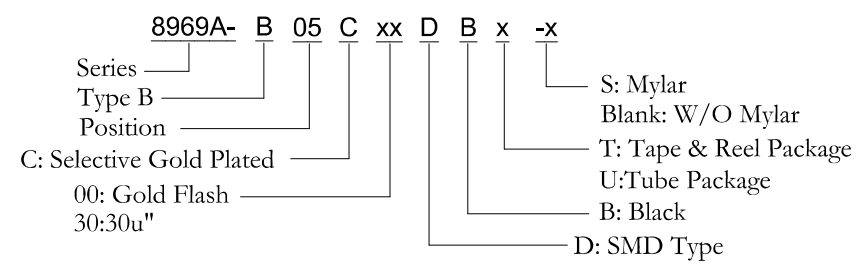
**Material:**

Housing: LCP, UL94V-0.  
 Contacts: Phosphor Bronze, Gold Plated on Contact Area and Tin Plated on Solder tail over Nickel 30~50u".  
 Shell: Copper Alloy, Nickel Plated.

**Electrical Characteristics:**

Current Rating: 1 AMP  
 Dielectric Withstanding Voltage: AC 300V.  
 Insulation Resistance: 100MΩ min.  
 Contact Resistance: 50mΩ max.  
 Operating Temperature: -25°C~+85°C.

**\*RoHS Compliant**



Tolerances .x = ±0.30 .xx = ±0.20 .xxx = ±0.10	Dwg. No.	8969D02026		Title: 8969A Series Mini USB B SMD Type Female	 OUPIIN ELECTRONIC(KUNSHAN) CO., LTD. P/N: 8969A-B05CxxDBx-x	
	Projection					
	Unit	mm	Scale			1:N
	Drawn By	Martin 12/03'24				① 676
SHEET		1/1	Ver.No.	A4		