

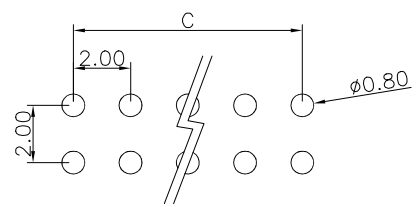
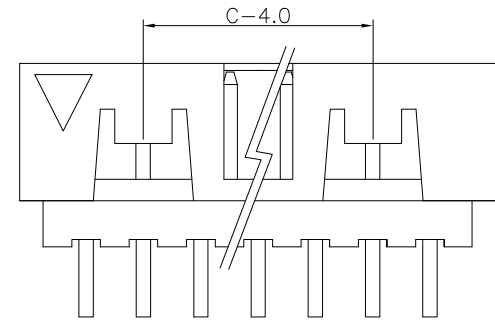
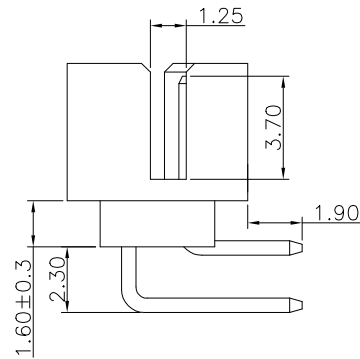
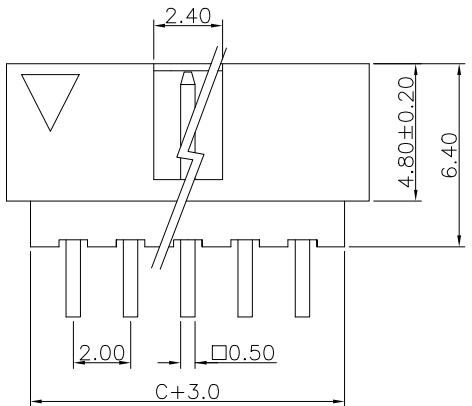
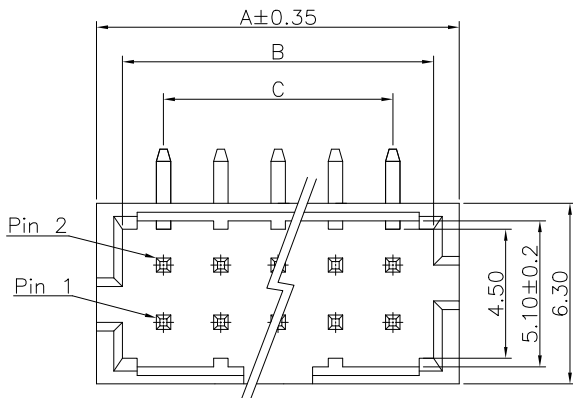
REV.	SPECIFICATION	ECN NO.	APPD.

**Material:**

Housing: PA6T, UL94V-0.  
 Contacts: Brass, Gold Plated on Contact Area and Solder Tail over 50u" Nickel.

**Electrical Characteristics:**

Current Rating: 1 AMP.  
 Dielectric Voltage: AC 500V for 1 minute.  
 Insulator Resistance: 5000MΩ min. at DC 500V.  
 Contact Resistance: 20mΩ max. at DC 100mA.  
 Operating Temperature: -40°C~+105°C.  
**\*RoHS Compliant**  
 No Side Locking Slot from 8 to 12 Position



P.C. Board Layout

Series: 3112-  
 Double Row: 2  
 No. of Pin per Row: X  
 Plating: xx  
 Finish: G  
 Angle: xx  
 Color: R  
 Package: B  
 Tray: A  
 A: Tray Package  
 B: Black  
 R: Right angle  
 G: Gold Plated  
 00: Gold Flash  
 10: 10u"  
 15: 15u"  
 30: 30u"

Positions	A	B	C
2X03	8.65	6.85	4.00
2X04	10.65	8.85	6.00
2X05	12.65	10.85	8.00
2X06	14.65	12.85	10.00
2X07	16.65	14.85	12.00
2X08	18.65	16.85	14.00
2X09	20.65	18.85	16.00
2X10	22.65	20.85	18.00
2X12	26.65	24.85	22.00
2X13	28.65	26.85	24.00
2X14	30.65	28.85	26.00
2X17	36.65	34.85	32.00
2X20	42.65	40.85	38.00
2X22	46.65	42.85	42.00

Tolerances .x = ±0.50 .xx = ±0.30	Dwg. No.	3112D01008		Title: 3112 Series Box Header 2.0mm Right Angle Type	 OUPIIN ELECTRONIC(KUNSHAN) CO., LTD. P/N: 3112-2XxxGxxRBA	
	Projection					
	Unit	mm	Scale			1:1
	Drawn By	Martin 10/30'24				535
SHEET		1/1	Ver.No.	A3		