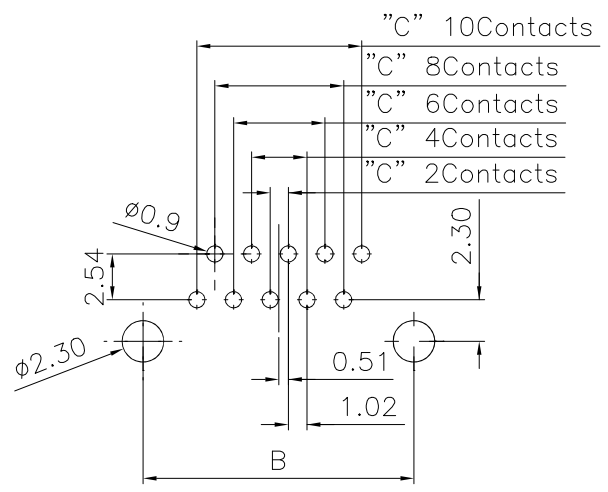
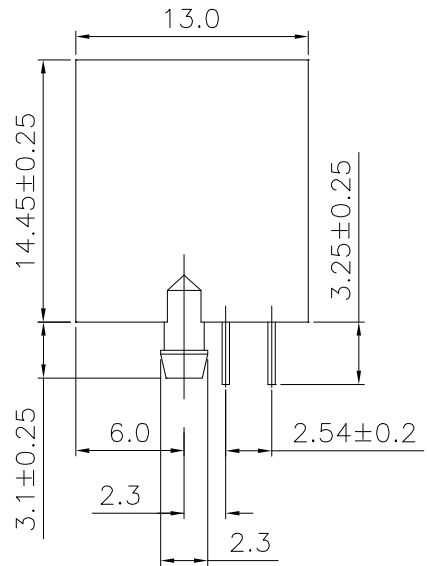
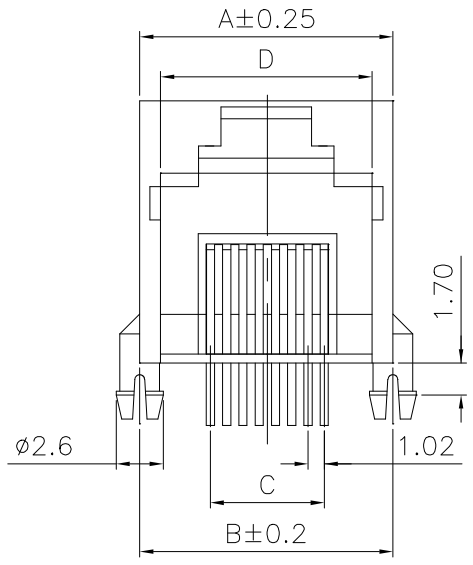


REV.	SPECIFICATION	ECN NO.	APPD.



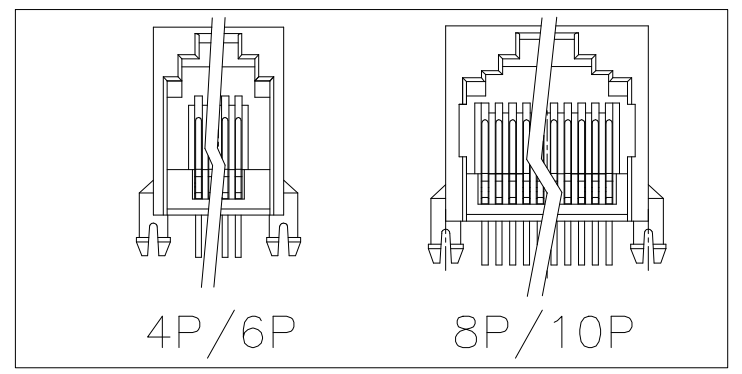
Material:

Housing: PBT, UL94V-0.
 Contacts: Phosphor Bronze, Gold plated on contact area and solder tail over Nickel 50u".

Electrical Characteristics:

Voltage Rating: AC 150V.
 Current Rating: 1.5 AMP.
 Dielectric Withstanding Voltage: 1000V.
 Insulator Resistance: 500MΩ min.
 Contact Resistance: 30mΩ max.
 Operating Temperature: -40°C~+85°C.

***RoHS Compliant**



Series **8949-F1** x x **-06** **Y** **N** **A**

4: 4 Position
 6: 6 Position
 8: 8 Position
 10: 10 Position

06: 6u" Gold Plated
 15: 15u" Gold Plated
 30: 30u" Gold Plated
 50: 50u" Gold Plated

A: Tray Package
 N: W/O Flange
 Y: Grey
 B: Black
 R: Red

No. of Position	No. of Contacts	Dimensions			
		A	B	C	D
4	4	10.00	10.00	3.06	7.88
6	2	12.20	12.00	1.02	9.88
6	4	12.20	12.00	3.06	9.88
6	6	12.20	12.00	5.10	9.88
8	8	15.00	15.00	7.14	11.91
10	10	15.00	15.00	9.18	11.91

P.C. Board Layout

Tolerances	Dwg. No.	8949D02083		Title:	
.x = ±0.25	Projection	⊕ ⊖		8949-F1 Series Modular Jack	
.xx = ±0.13	Unit	mm	Scale		1:N
.xxx = ±0.05	Drawn By	Martin 09/20'24			

① 563

OUPIN			
OUPIN ELECTRONIC(KUNSHAN) CO., LTD.			
P/N: 8949-F1xx-06YNA			
SHEET	1/1	Ver.No.	B3