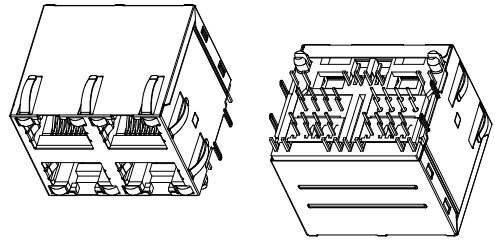
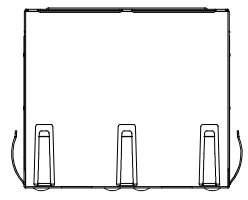
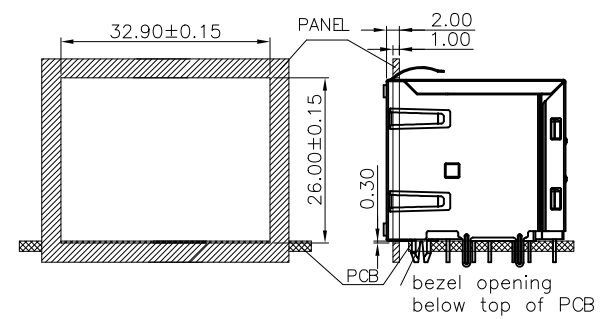
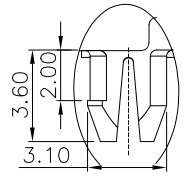
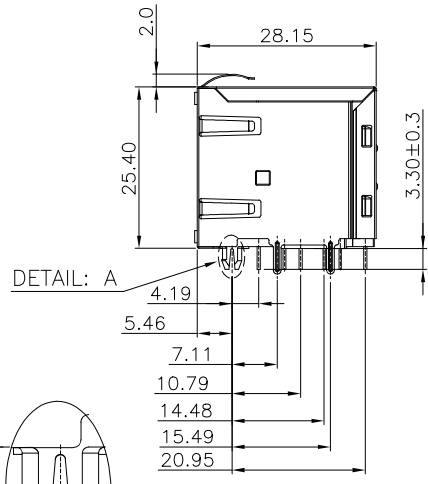
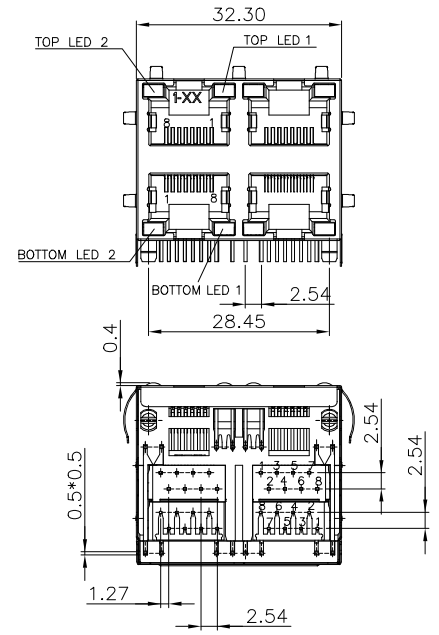


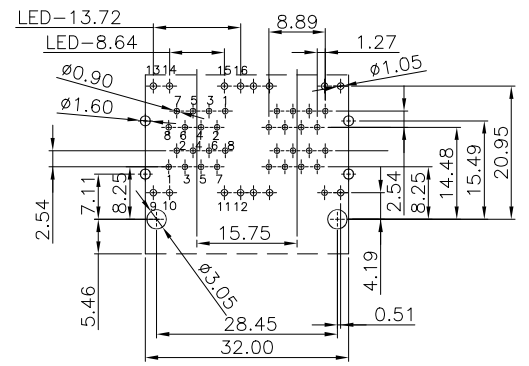
REV.	SPECIFICATION	ECN NO.	APPD.



Material:
Housing: PA46, UL94V-0.
Insert: PBT, UL94V-0.
Contacts: Phosphor Bronze, Gold Plated on Contact Area and 80u" Tin Plated on Solder Tail over Nickel 50u".
Shield: Brass, 30u" Nickel Plated.
Electrical Characteristics:
Current Rating: 1.5A.
Dielectric Withstanding Voltage: AC 1000V.
Insulation Resistance: 500MΩ min.
Contact Resistance: 20mΩ max.
Operating Temperature: -40°C~+70°C.
***RoHS Compliant**

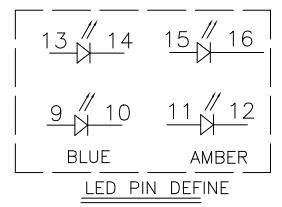


Recommend panel cutout



RECOMMENDED P.C.B LAYOUT
(COMPONENT SIDE TOLERANCE±0.05)

8949-AID3 8 8 4 C xx S 1 AC B A -HF
Series ———— HF:Halogen Free
8:8 Positions ———— A:Tray Package
8:8 contacts ———— B:Black
4:4 Port ———— AC: LED 1: Amber, LED 2 :Blue
C:Selective Gold Plated ———— 1:With Grounding
00:Gold Flash ———— S: Shield
30:30u"



Tolerances	Dwg. No.	8949D02248	Title:		8949-AID3 Series			
.x = ±0.35	Projection		RJ45 Stacked Modular Jack 2X2		 OUPIIN ELECTRONIC(KUNSHAN) CO., LTD. P/N:8949-AID3884CxxS1ACBA-HF			
.xx = ±0.25	Unit	mm	Scale	1:N				
.xxx = ±0.15	Drawn By	Martin 03/31'25	① 665					
					SHEET	1/1	Ver.No.	A1