

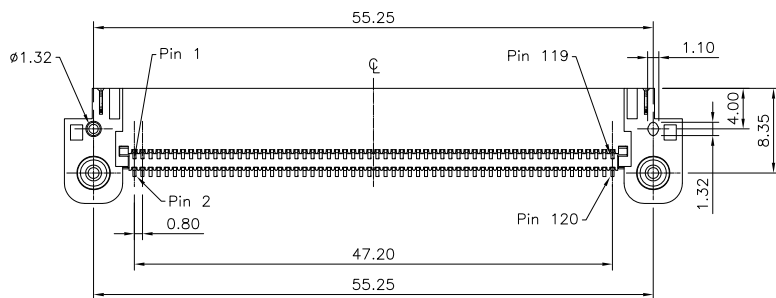
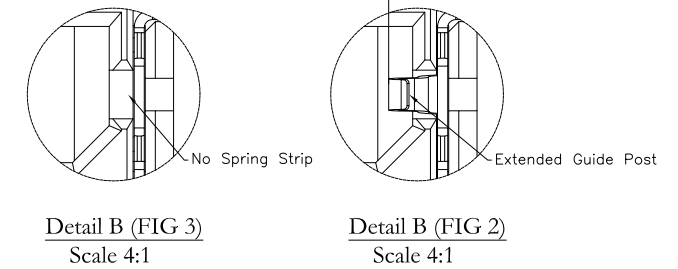
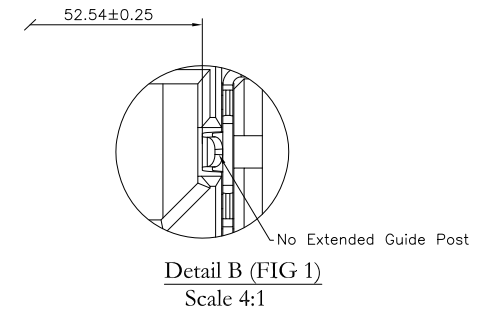
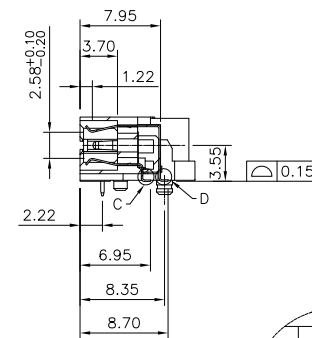
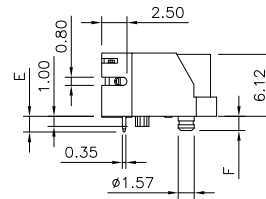
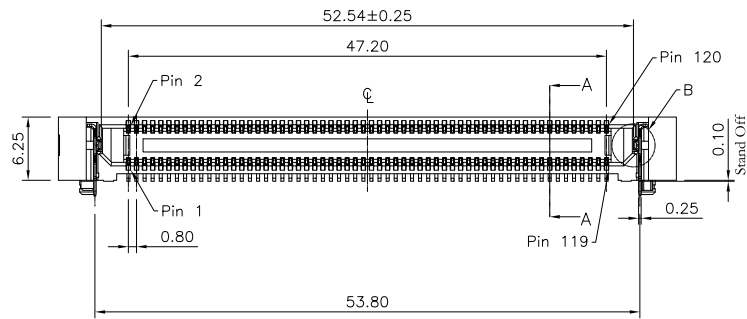
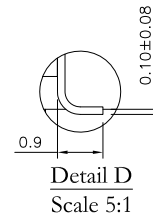
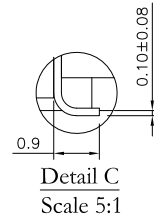
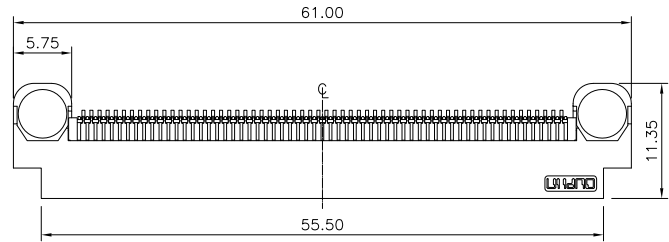
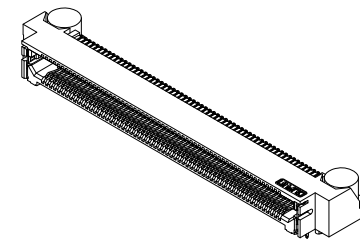
REV.	SPECIFICATION	ECN NO.	APPD.
X6			

Material and Plating:

Housing: LCP, UL94V-0, Black.
 Contacts: Phosphor Bronze
 Gold Plated on Contact Area and 80u" Min
 Tin Plated on Solder Tail over nickel 50u" Min .
 Counterweight: Brass
 Latches: Phosphor Bronze

Electrical Characteristics:
 Current Rating: 1.4 AMP.
 Dielectric Withstanding Voltage: AC 900V.
 Insulation Resistance: 50000MΩ min.
 Contact Resistance: 25mΩ max.
 Operating Temperature: -55°C~+125°C.

***RoHS Compliant**



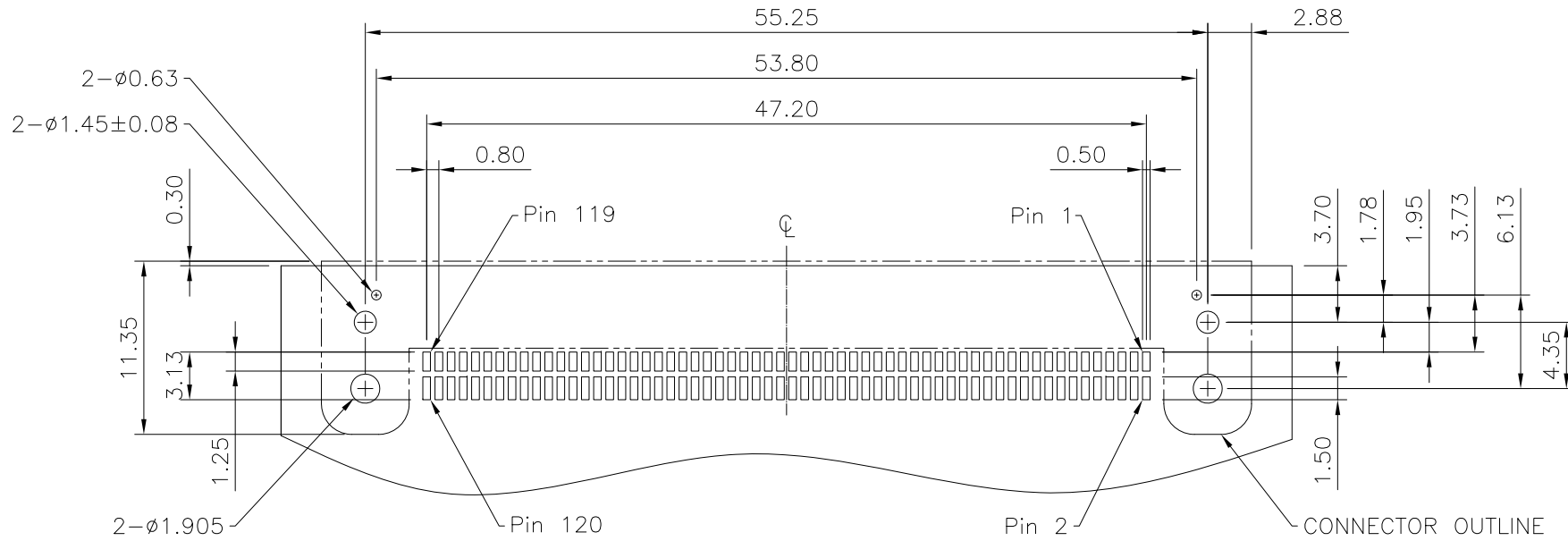
- Series 2386- 4 2 X 60 C 3 D 1 M NG T -OP1
- 4:Female Right Angle
 - Double Row
 - Position Per Row
 - C: Selective Gold Plated
 - 3: 10u"
 - 7: 30u"
 - D:SMD Type
 - M: Metal Post
 - Blank: W/O Metal Post
 - Code1-2
 - Mold Printing
 - T: Tape&Reel Package
 - NG: With Lock, No Extended Guide Post , See FIG 1
 - L1: With Lock, Extended Guide Post , See FIG 2
 - L: With Lock, No Spring Strip, See FIG 3
 - N: W/O lock
 - M: Metal Post
 - Blank: W/O Metal Post

PCB Thickness	Code	Lock	Metal Post
Dimension		E	F
1.58	1	1.55	1.40
2.36	2	2.34	2.19

Tolerances	Dwg No.	2386-D0000-004	Title:
x = ±0.50	Projection		2386 Series
.x = ±0.25	Unit	mm	Female Right Angle
.xx = ±0.15	Scale	1:1	
	Drawn By	WP 10/05'23	

OUPIN			
OUPIN ELECTRONIC(KUNSHAN) CO., LTD.			
P/N: 2386-42X60C3D1MNGT-OP1			
SHEET	1/2	Ver.No.	X6

REV.	SPECIFICATION	ECN NO.	APPD.
X6			



Recommended PCB Layout
(Tolerance: ±0.05)

Tolerances x = ±0.50 .x = ±0.25 .xx = ±0.15	Dwg No.	2386-D0000-004		Title: 2386 Series Female Right Angle	OUPIN				
	Projection	⊕ ↗			OUPIN ELECTRONIC(KUNSHAN) CO., LTD.				
	Unit	mm	Scale		1:1	P/N: 2386-42X60C3D1MNGT-OP1			
	Drawn By	WP 10/05'23			SHEET 2/2 Ver.No. X6				