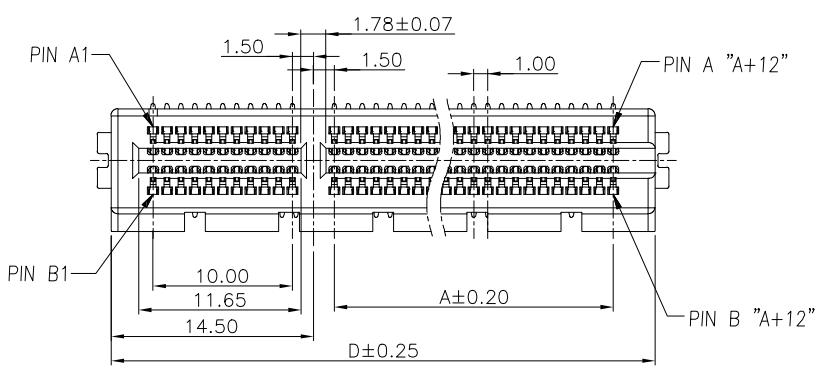
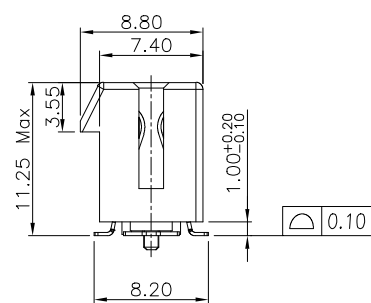
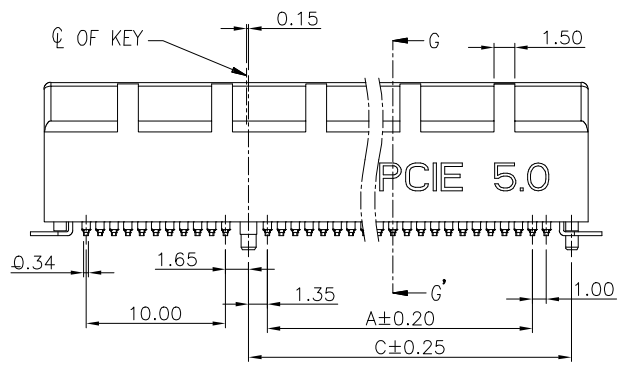


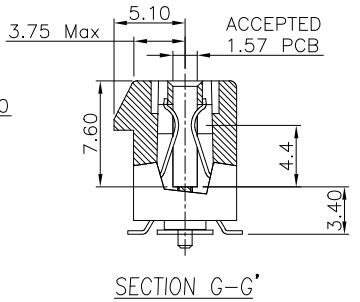
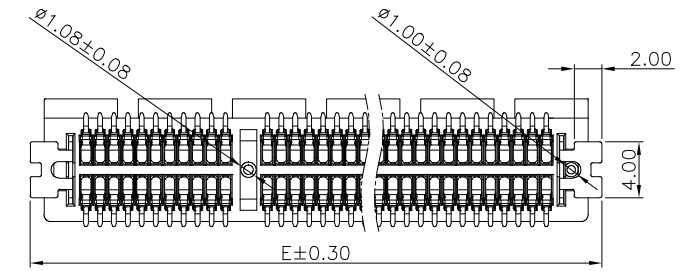
REV.	SPECIFICATION	ECN NO.	APPD.



Material:
Housing: PA9T, UL94V-0, Black.
Contacts: Phosphor Bronze, Gold Plated on Contact Area and 100" Matte Tin Plated on Solder Tail over Nickel Plated 50u".
Hold down: Brass, 100u" Matte Tin Plated over Nickel 50u".
Plastic Pad: LCP, UL94V-0, Black.
Electrical Characteristics:
Current Rating: 1.1A.
Dielectric Withstanding Voltage: AC 500V.
Insulation Resistance: 1000MΩ min.
Contact Resistance: 30mΩ max.
Operating Temperature: -40°C~+85°C.
***RoHS Compliant**



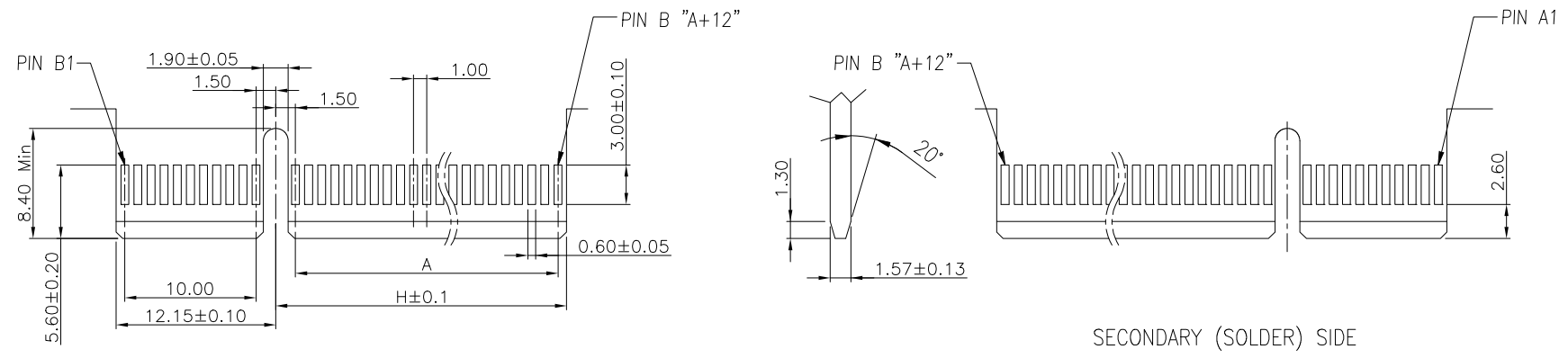
8406-C xx C xx D P T -P -G5 -A005
 Series ———
 Positions ———
 C:Selective Gold Plated
 00:Gold Flash
 15:15u"
 30:30u"
 D:SMD Type
 A005:Open End Type
 Gen5
 P:Plastic Pad
 S:Mylar
 Blank:W/O Pad & Mylar
 T:Tape & Reel Package
 A:Tray Package
 P:With Post



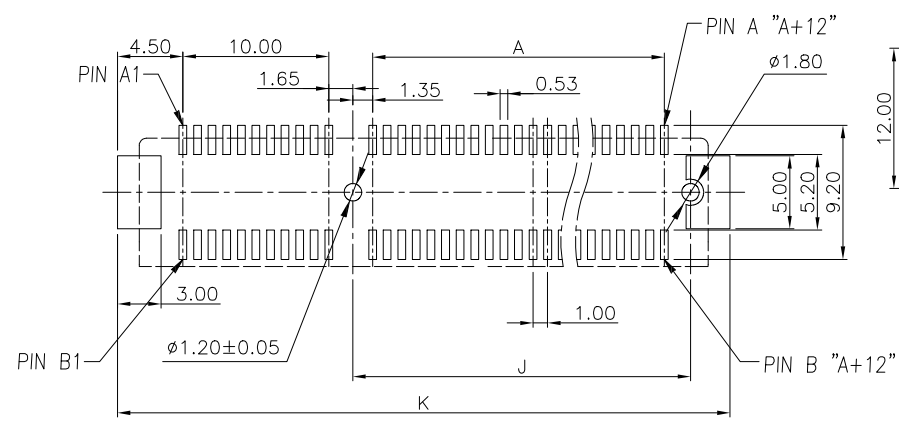
DIMENSIONS				
POSITION	A	C	D	E
36	6	9.15	25	27
64	20	23.15	39	41
98	37	40.15	56	58
164	70	73.15	89	91

Tolerances x. = ±0.40 .x = ±0.30 .xx = ±0.20 .xxx = ±0.10	Dwg. No.	S6320240514-03		Title: 8406-C Series		 OUPIIN ELECTRONIC(KUNSHAN) CO., LTD. P/N: 8406-CxxCxxDPT-P-G5-A005			
	Projection			PCI Express GEN5 1.0mm					
	Unit	mm	Scale	1:N	SMD Type With Latch				
	Drawn By	Martin	Date	05/14'24	Open End Type		SHEET	1/3	Ver.No.

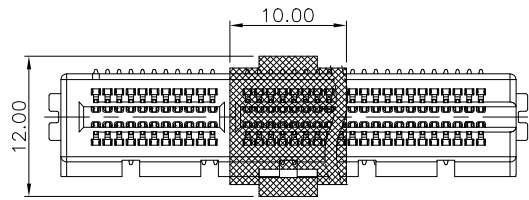
REV.	SPECIFICATION	ECN NO.	APPD.



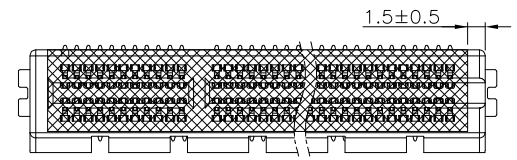
NOTES:
CHAMFER EDGE MUST BE FREE OF CUTTING BURRS



RECOMMENDED PCB LAYOUT
TOLERANCE: ±0.05



With Plastic Pad



WITH MYLAR

DIMENSIONS				
POSITION	A	H	J	K
36	6	8.15	9.15	28.0
64	20	22.15	23.15	42.0
98	37	39.15	40.15	59.0
164	70	72.15	73.15	92.0

Tolerances	Dwg. No.	S6320240514-03		Title:	8406-C Series
x. = ±0.40	Projection				PCI Express GEN5 1.0mm
.x = ±0.30	Unit	mm	Scale	1:N	SMD Type With Latch
.xx = ±0.20	Drawn By	Martin	05/14'24	716	Open End Type
.xxx = ±0.10					

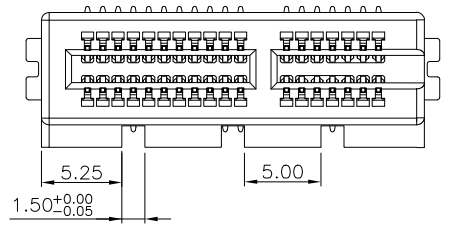
8406-C Series
PCI Express GEN5 1.0mm
SMD Type With Latch
Open End Type

OUPIIN
OUPIIN ELECTRONIC(KUNSHAN) CO., LTD.
P/N: 8406-CxxCxxDPT-P-G5-A005

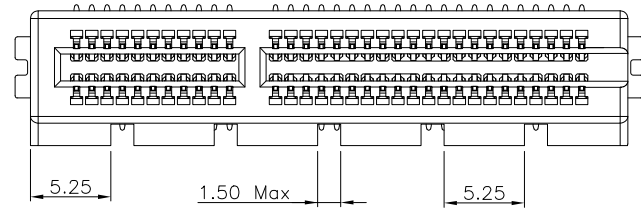
SHEET	2/3	Ver.No.	X1
-------	-----	---------	----

REV.	SPECIFICATION	ECN NO.	APPD.

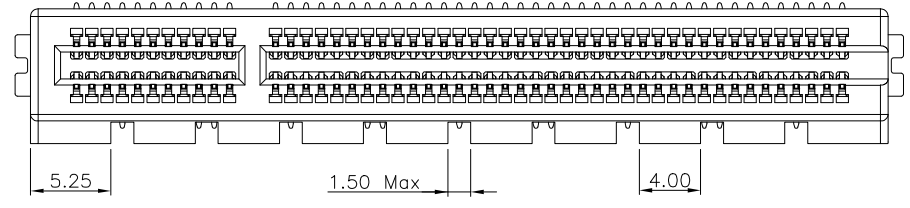
36 Pos.



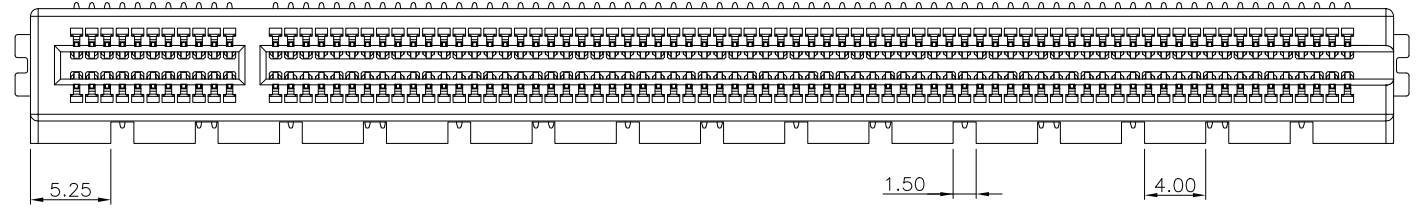
64 Pos.



98 Pos.



164 Pos.



Tolerances x. = ±0.40 .x = ±0.30 .xx = ±0.20 .xxx = ±0.10	Dwg. No.	S6320240514-03		Title:	8406-C Series			
	Projection				PCI Express GEN5 1.0mm			
	Unit	mm	Scale	1:N	SMD Type With Latch			
	Drawn By	Martin 05/14'24		716	Open End Type			
							OUPIIN ELECTRONIC(KUNSHAN) CO., LTD. P/N: 8406-CxxCxxDPT-P-G5-A005	
				SHEET	3/3	Ver.No.	X1	