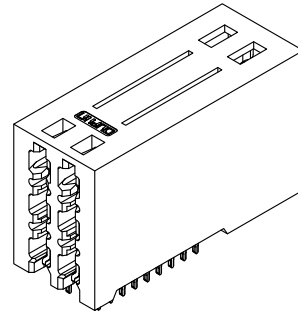
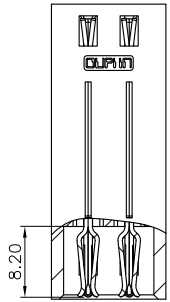


|      |               |           |       |
|------|---------------|-----------|-------|
| REV. | SPECIFICATION | ECN NO.   | APPD. |
| R5   |               | ECN251215 |       |



**Material and Plating:**

Housing: LCP, UL94V-0 , BLACK.

Power Contacts: High Conductivity Copper, Gold Plated or Au+Pd/Ni on Contact Area and 80u" Min Tin Plated on Press Fit over Nickel 50u" Min .

**Electrical Characteristics:**

Current Rating: Power Pin:100 A(2 Adjacent Contacts).

Dielectric Withstanding Voltage:

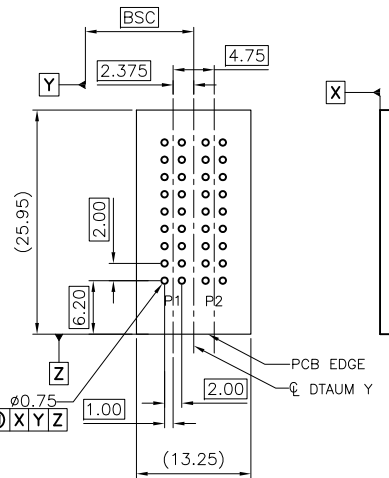
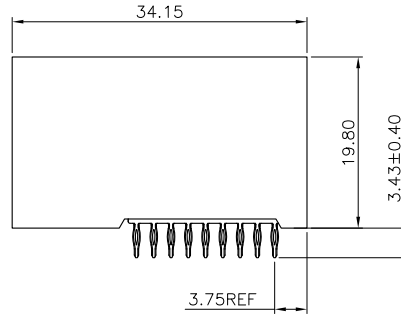
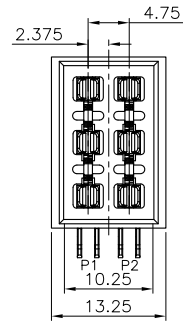
Power Pin DC 2500V For 1 minute.

Insulator Resistance: Power Pin 1000MΩ min.

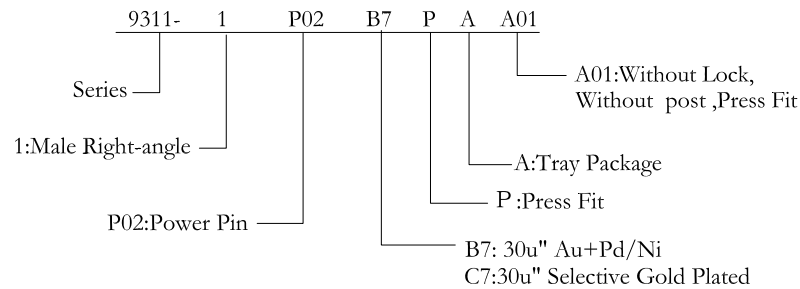
Contact Resistance: Power Pin 0.3mΩ max.

Operating Temperature: -55°C ~+125°C .

**\*RoHS & HF Compliant**



P.C.Board Layout  
(Tolerance:±0.05)



|              |            |               |           |
|--------------|------------|---------------|-----------|
| Tolerances   | Dwg. No.   | 9311-DP02-001 |           |
| x = ±1       | Projection | ⊕ ↗           |           |
| .x = ±0.5    | Unit       | mm            | Scale 1:1 |
| .xx = ±0.25  | Drawn By   | XS 12/10'25   |           |
| .xxx = ±0.10 |            |               |           |

|        |                           |
|--------|---------------------------|
| Title: | 9311 Series               |
|        | PwrFULL® Male Right-angle |
|        | Press Fit Type            |

|                                     |     |          |    |
|-------------------------------------|-----|----------|----|
| <b>OUPIN</b>                        |     |          |    |
| OUPIN ELECTRONIC(KUNSHAN) CO., LTD. |     |          |    |
| P/N: 9311-1P02B7PAA01               |     |          |    |
| SHEET                               | 1/1 | Ver. No. | R5 |