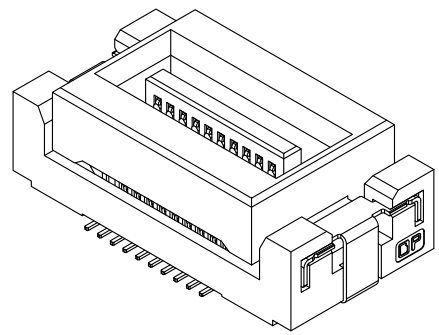
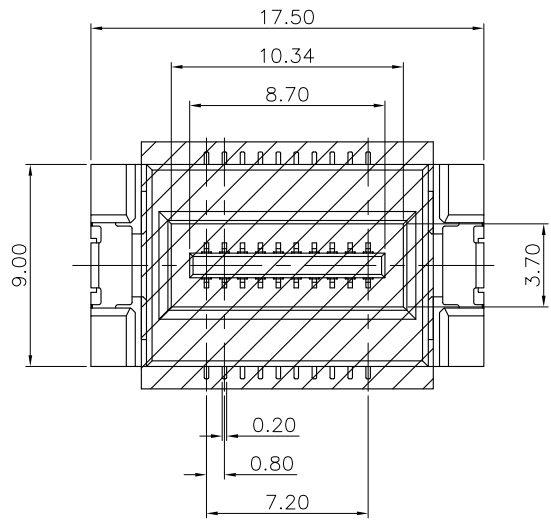


REV.	SPECIFICATION	ECN NO.	APPD.
X5			



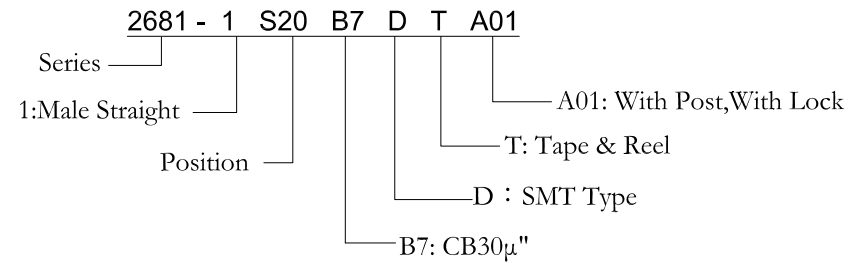
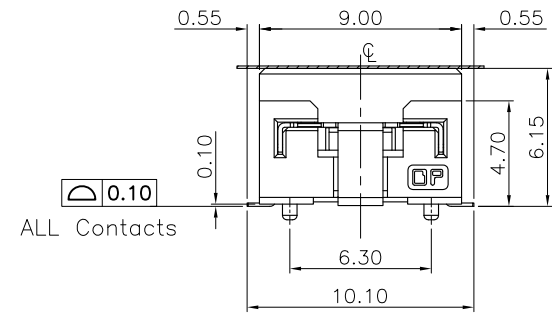
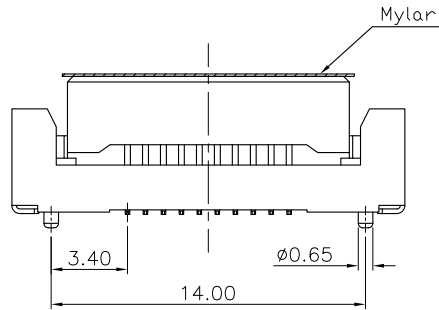
Material and Plating:

Housing: LCP, UL94V-0 , BLACK.
Signal Contacts: Phosphor Bronze
 Gold plated on Contact Area and 80u" Min Tin Plated on Solder Tail over nickel 50u" Min .
Lock: Brass
 80u" Min Tin Plated over nickel 50u" Min .

Electrical Characteristics:

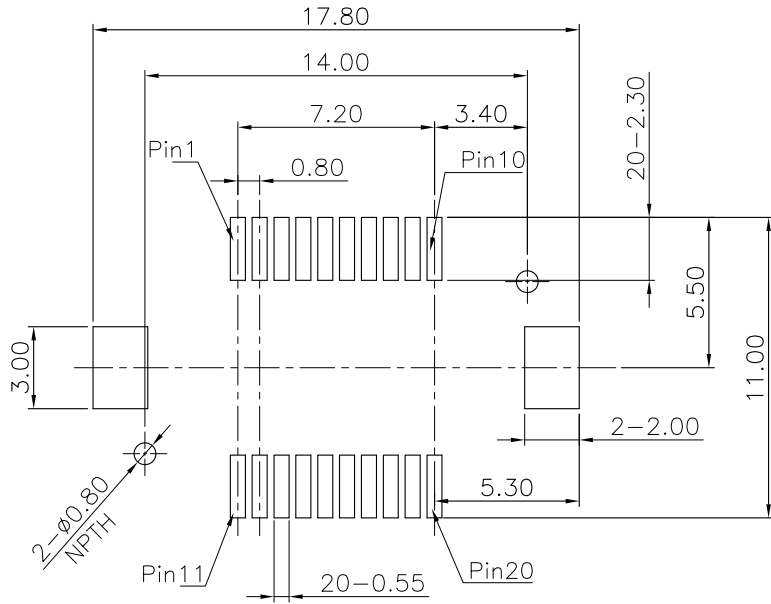
Current Rating: 0.5A
Dielectric Withstanding Voltage:
 AC 250V For 1 minute.
Insulator Resistance: 500MΩ min. at DC 250V.
Contact Resistance: 80mΩ max. at DC 20mA.
Operating Temperature: -40°C~+105°C.

***RoHS Compliant**

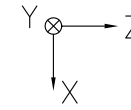
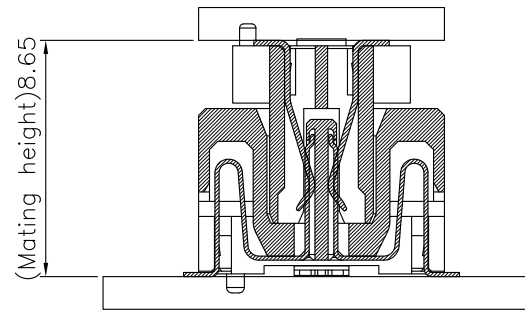


Tolerances x = ±0.50 .x = ±0.25 .xx = ±0.15	Dwg. No.	2681-DS20-001		Title: 2681 Series Floating B TO B Connector 0.8mm Pitch SMD Type	OUPIN OUPIN ELECTRONIC(KUNSHAN) CO., LTD.			
	Projection							
	Unit	mm	Scale			1:1		
	Drawn By	SXH 05/22'24			SHEET	1/2	Ver.No.	X5

REV.	SPECIFICATION	ECN NO.	APPD.
X5			


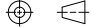


P.C. Board Layout (TOP View)
(Tolerance ± 0.05)



Floating Range toward
 X direction: $\pm 0.3\text{mm}$
 Y direction: $\pm 0.5\text{mm}$
 Z direction: $\pm 0.5\text{mm}$

Connector Mating

Tolerances x = ± 0.50 .x = ± 0.25 .xx = ± 0.15	Dwg. No.	2681-DS20-001		Title: 2681 Series Floating B TO B Connector 0.8mm Pitch SMD Type	 OUPIIN ELECTRONIC(KUNSHAN) CO., LTD.			
	Projection							
	Unit	mm	Scale		1:1	SHEET	2/2	Ver.No.
Drawn By	SXH 05/22'24							