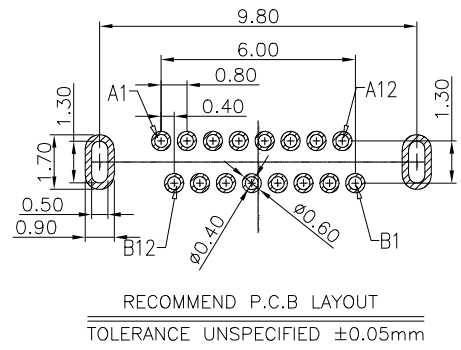
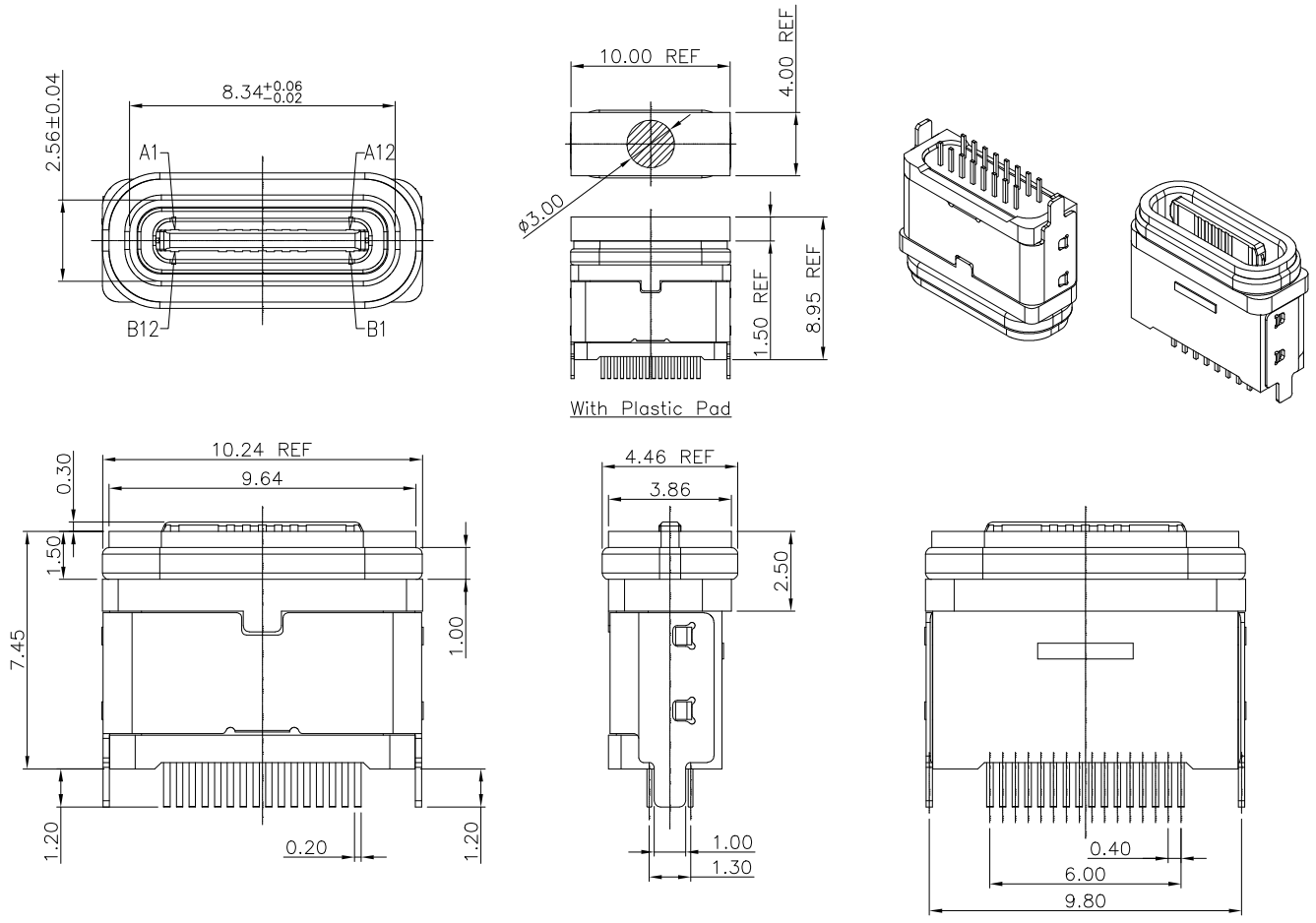


REV.	SPECIFICATION	ECN NO.	APPD.

Material:
Housing: LCP, UL94V-0, Black.
Contacts: Brass, Gold Plated on Contact Area and 80u" Tin Plated on Solder Tail over Nickel 30u".
Shielding Plate: Stainless Steel, Nickel Plated.
Mid Plate: Stainless Steel.
Plastic Shell: PA9T, UL94V-0, Black.
Plastic Pad: LCP, UL94V-0, Black.
WaterProof Ring: Silicone, UL94V-0, Red.

Electrical Characteristics:
Current Rating: 3 AMP.
Dielectric Withstanding Voltage: AC 100V.
Insulation Resistance: 100MΩ min.
Contact Resistance: 50mΩ max for Shield.
40mΩ max for VBUS&GND PINS and other PINS.
10mΩ max for change of all PINS.
Operating Temperature: -35°C~+85°C.
*RoHS Compliant
*IPX7



8975WP- C 16 C 00 S B 1 T -P

Series: C
Type C
Positions: 16 C
C: Selective Gold Plated
00: Gold Flash
S: Straight
B: Black
1: Type 1
T: Tape & Reel Package
-P: With Plastic Pad

USB TYPE C PIN ASSIGNMENTS

PIN NUMBER	SIGNAL NAME	PIN NUMBER	SIGNAL NAME
A1	GND	B12	GND
A4	VBUS	B9	VBUS
A5	CC1	B8	SBU2
A6	DP1	B7	DN2
A7	DN1	B6	DP2
A8	SBU1	B5	CC2
A9	VBUS	B4	VBUS
A12	GND	B1	GND

Tolerances	Dwg. No.	S0220220316-01	Title:	8975WP Series
.x = ±0.38	Projection			USB 2.0 C Type Female
.xx = ±0.25	Unit	mm	Scale	1:N
.xxx = ±0.13	Drawn By	Martin 05/18'26	① 668	Straight Type
				WaterProof

OUPIN
OUPIN ELECTRONIC(KUNSHAN) CO., LTD.
P/N: 8975WP-C16C00SB1T-P

SHEET	1/1	Ver.No.	X4
-------	-----	---------	----