

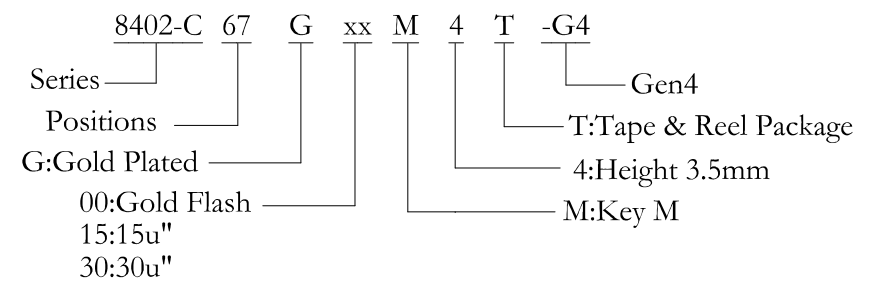
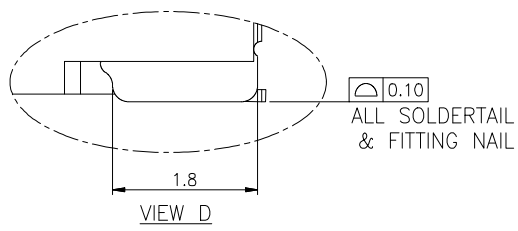
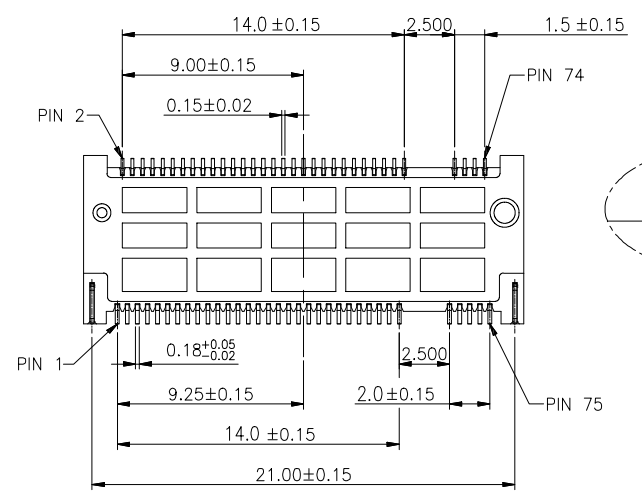
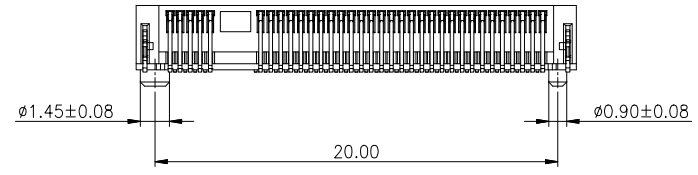
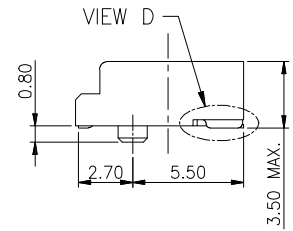
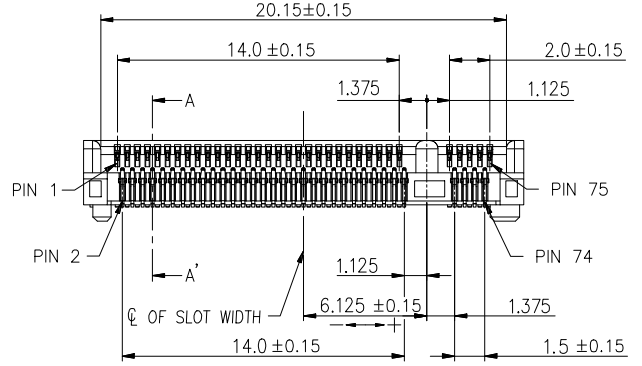
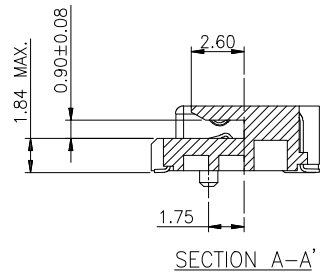
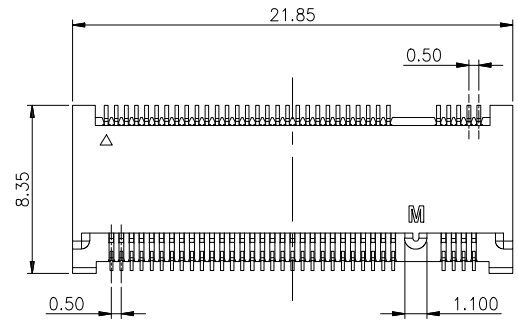
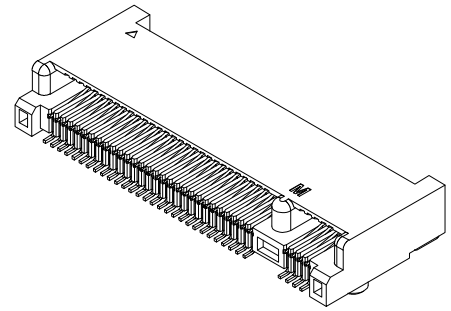
REV.	SPECIFICATION	ECN NO.	APPD.

**Material:**

**Housing:** LCP, UL94V-0, Black.  
**Contacts:** Phosphor Bronze, Gold Plated on Contact Area and Gold Flash on Solder Tail over Nickel 50~100u".  
**Fitting Nail:** Brass, 100~200u" Matte Tin Plated on Solder Tail; 50~100u" Nickel Plated overall.

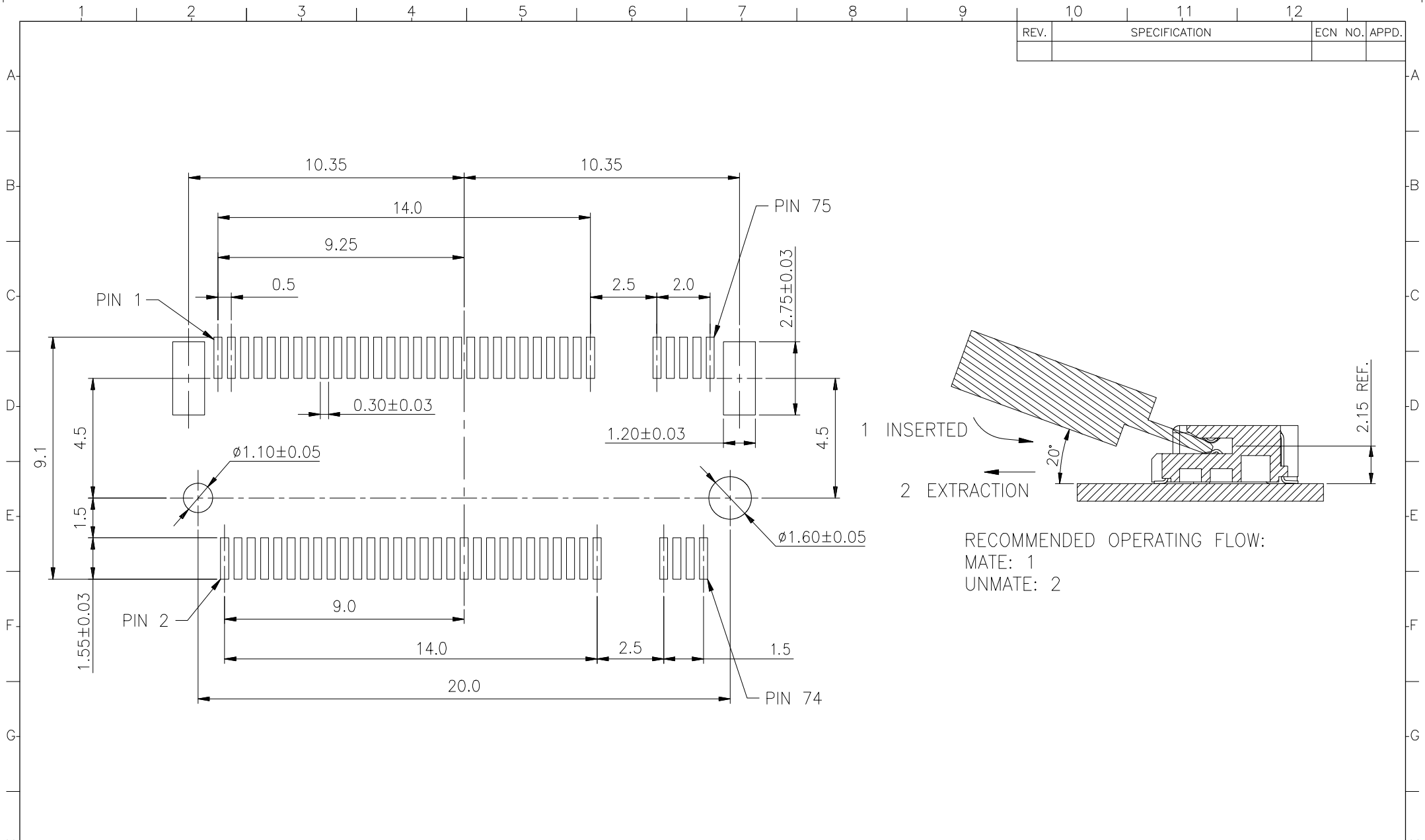
**Electrical Characteristics:**

**Current Rating:** 0.5 AMP.  
**Dielectric Withstanding Voltage:** AC 300V.  
**Insulation Resistance:** 500MΩ min.  
**Contact Resistance:** 55mΩ max.  
**Operating Temperature:** -40°C~+80°C.  
**\*RoHS Compliant**



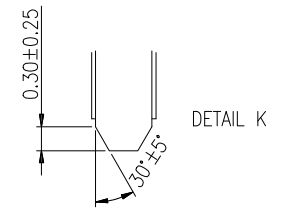
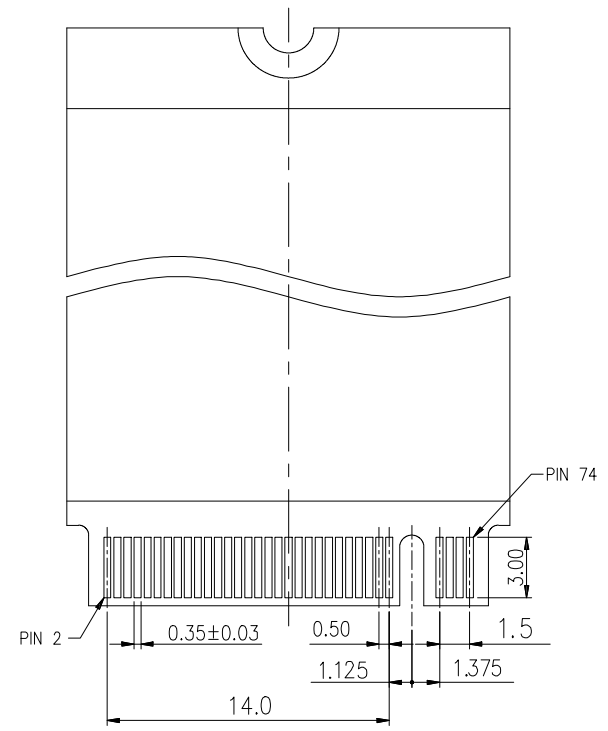
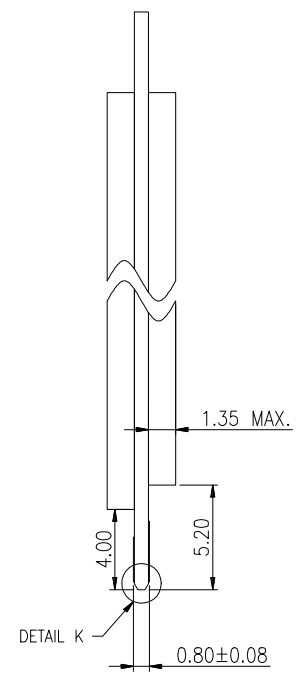
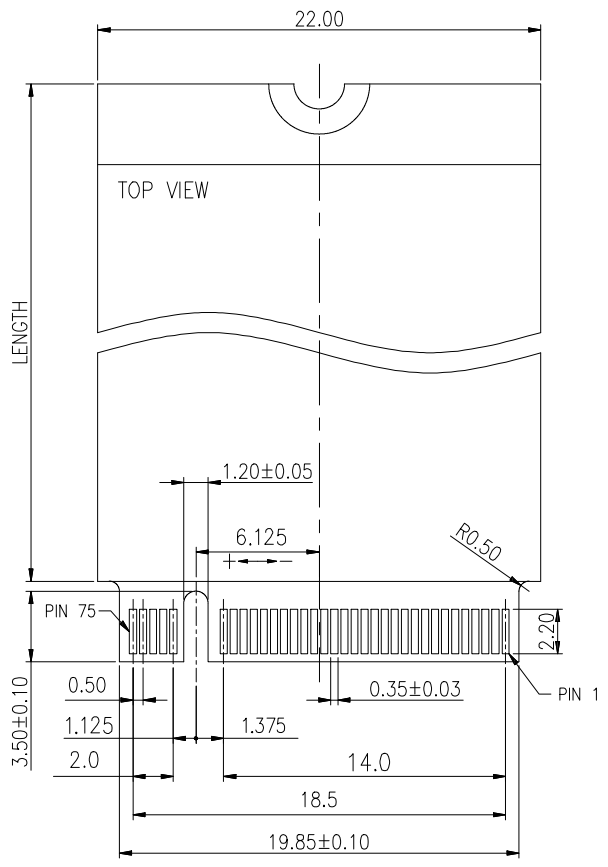
<b>Tolerances</b> .x = ±0.40 .x = ±0.30 .xx = ±0.20 .xxx = ±0.10	<b>Dwg. No.</b> S2620230713-02	<b>Title:</b> 8402-C Series		 <b>OUPIN ELECTRONIC(KUNSHAN) CO., LTD.</b> P/N: 8402-C67GxxM4T-G4 SHEET 1/3 Ver.No. X2	
	<b>Projection</b>	M.2(NGFF) Connector			
	<b>Unit</b> mm	<b>Scale</b> 1:N	Pitch 0.5mm, Height 3.5mm		
	<b>Drawn By</b> Martin 06/26'26	①716	Gen4		

REV.	SPECIFICATION	ECN NO.	APPD.



<b>Tolerances</b> x. = ±0.40 .x = ±0.30 .xx = ±0.20 .xxx = ±0.10	Dwg. No.	S2620230713-02		<b>Title:</b> 8402-C Series M.2(NGFF) Connector Pitch 0.5mm, Height 3.5mm Gen4	 <b>OUPIIN ELECTRONIC(KUNSHAN) CO., LTD.</b> P/N: 8402-C67GxxM4T-G4	
	Projection					
	Unit	mm	Scale			1:N
	Drawn By	Martin 06/26'26				① 716
SHEET		2/3	Ver.No.	X2		

REV.	SPECIFICATION	ECN NO.	APPD.



<b>Tolerances</b>	<b>Dwg. No.</b>	S2620230713-02	
x. = ±0.40	<b>Projection</b>		
.x = ±0.30	<b>Unit</b>	mm	<b>Scale</b>
.xx = ±0.20	<b>Drawn By</b>	Martin	06/26'26
.xxx = ±0.10			

**Title:** 8402-C Series  
M.2(NGFF) Connector  
Pitch 0.5mm, Height 3.5mm  
Gen4

OUPIIN ELECTRONIC(KUNSHAN) CO., LTD.			
P/N: 8402-C67GxxM4T-G4			
<b>SHEET</b>	3/3	<b>Ver.No.</b>	X2