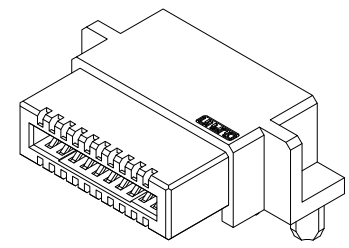
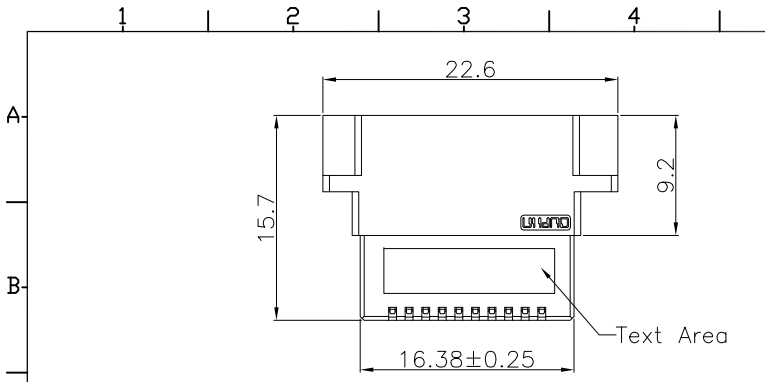


REV.	SPECIFICATION	ECN NO.	APPD.
R7		ECN260616	



Material and Plating:

Housing: LCP, UL94V-0, Black.
 Cover: LCP, UL94V-0, Black.
 Signal Contacts : Phosphor Bronze.
 30u" Au+Pd/Ni Plated on Contact Area and 80u" Min Matte Tin Plated on Solder Tail over Nickel 50u" Min .

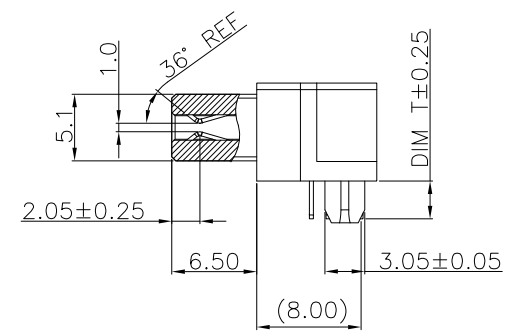
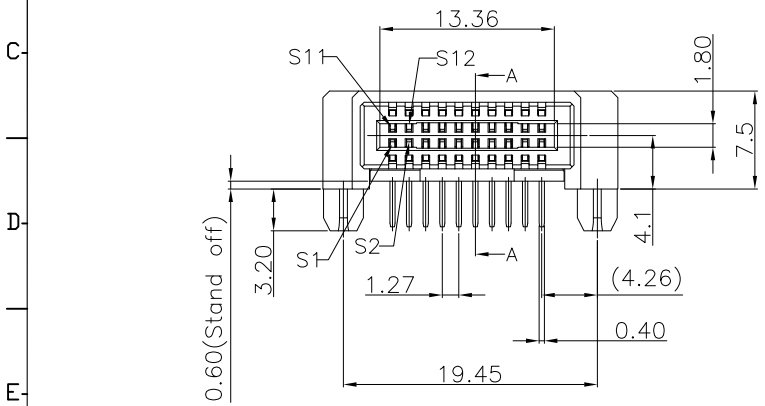
Electrical Characteristics:

Current Rating: 1.5 AMP.
 Rating Voltage: 30V DC.
 Insulator Resistance: 5000MΩ min. at DC 500V.
 Dielectric Withstanding Voltage: DC 1500V For 1 minute.
 Contact Resistance: 45mΩ max. at DC 20mA.
 Operating Temperature: -40°C ~+105°C.

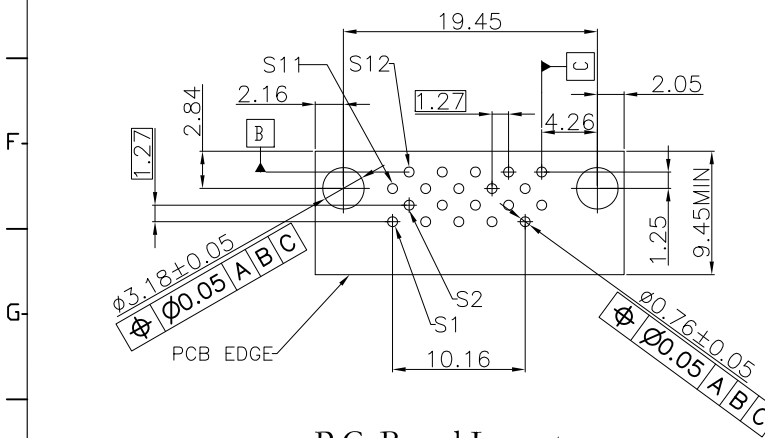
***RoHS & HF Compliant**

Notes:

1.IR Reflow & PIP Profile: 260°C±5°C, 10s & 217°C, 60~150s.



Section A-A


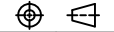


P.C. Board Layout
(Tolerance:±0.05)

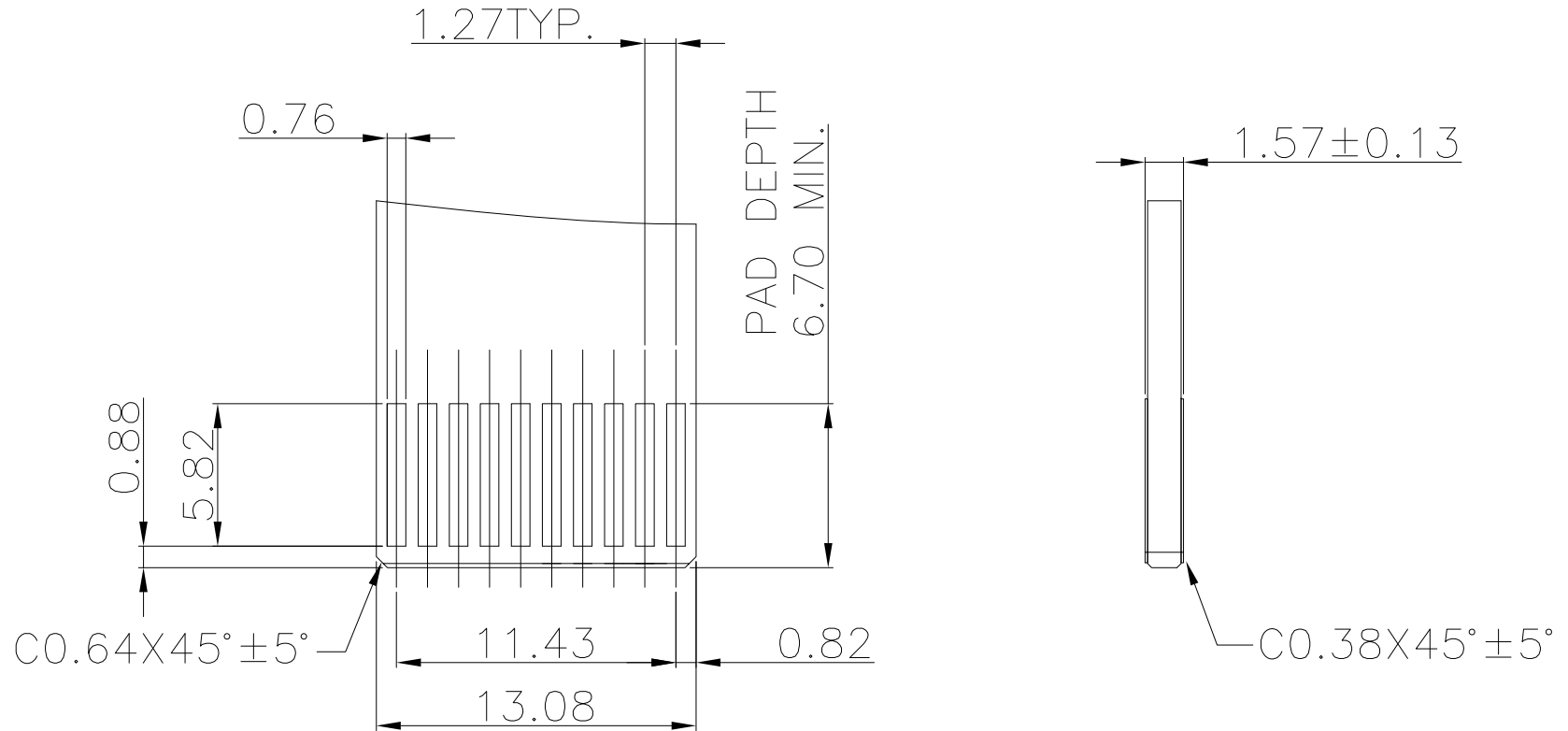
9392- 4 S20 P 1 x CB 30 D T

Series ————
 4:Female Right Angle ————
 S20: No. of Signal Pin ————
 N: W/O Post ————
 P: With Post ————
 1: Without Guides ————


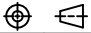
T:Tape & Reel Package
 D:Dip Type
 30: 30 u"
 CB: Dip Tin Plated
 Contact Au+Pd/Ni Plated
 2: Dim T=2.90mm
 3: Dim T=3.60mm

Tolerances	Dwg. No.	9392-D0000-049	Title:		 OUPIIN ELECTRONIC(KUNSHAN) CO., LTD. P/N: 9392-4S20P1xCB30DT
x = ±0.5	Projection		9392 Series		
.x = ±0.25	Unit	mm	Scale	1:1	
.xx = ±0.15	Drawn By	GYJ 06/23'26	Low Profile Hybrid Power Receptacle		SHEET
					1/2
					Ver.No.
					R7

REV.	SPECIFICATION	ECN NO.	APPD.
R7		ECN260616	



Recommended Edge Card Layout
(Tolerance: ±0.05)

Tolerances	Dwg. No.	9392-D0000-049	Title:		 OUPIIN ELECTRONIC(KUNSHAN) CO., LTD. P/N:9392-4S20P1xCB30DT
x = ±0.5	Projection				
.x = ±0.25	Unit	mm	Scale	1:1	
.xx = ±0.15	Drawn By	GYJ 06/23'26			SHEET 2/2 Ver.No. R7