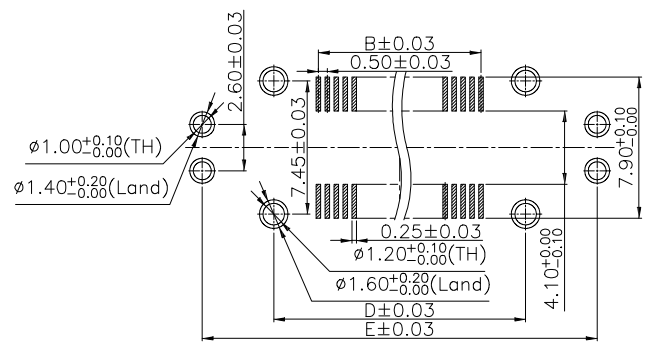
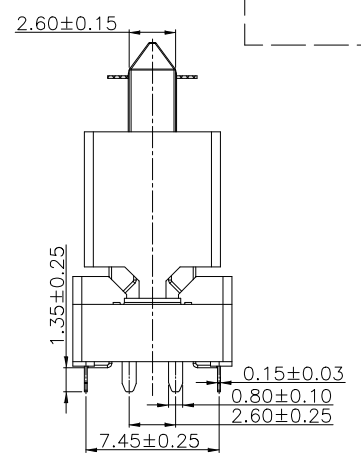
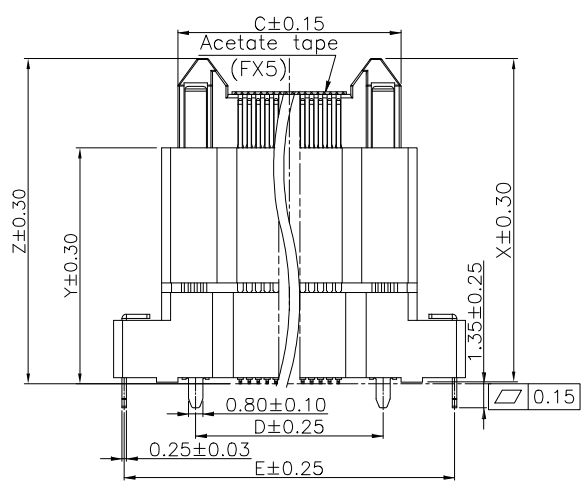
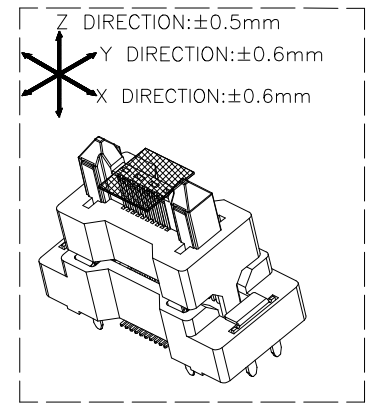
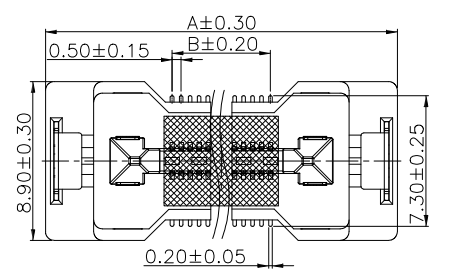


REV.	SPECIFICATION	ECN NO.	APPD.



Recommended P.C.Board Layout  
(Tolerance:±0.05)

2631- xx M xxx D 1 N x T -S

Series ———— S:Mylar  
 Positions ———— T:Tape & Reel Package  
 Male ————  
 D:SMD Type ————  
 G00: Gold Flash Plated  
 G03: 3u" Gold Plated  
 1: Code 1  
 2: Code 2  
 N:Without Post  
 Type 1

Series	Code 1	Code 2
2631-xxM, Type1	X	18.10
	Y	13.20
	Z	13.19

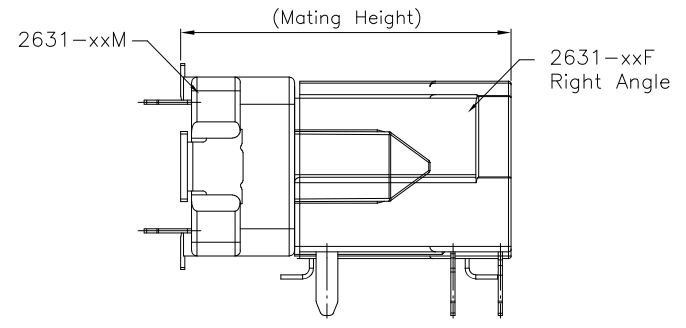
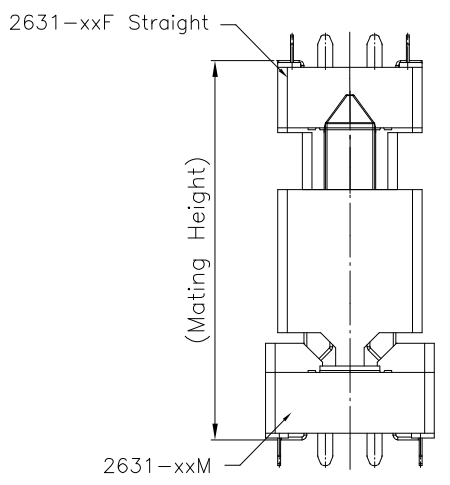
Positions	Dimension					
	A	B	C	D	E	F
20	18.70	4.50	11.50	9.50	17.50	5.0
40	23.70	9.50	16.50	14.50	22.50	10.0
60	28.70	14.50	21.50	19.50	27.50	10.0
80	33.70	19.50	26.50	24.50	32.50	10.0
100	38.70	24.50	31.50	29.50	37.50	10.0
120	43.70	29.50	36.50	34.50	42.50	10.0

Tolerances	Dwg. No.	2631D01001		Title:	2631 Series
.x = ±0.30	Projection	⊕ ⊖			Pitch 0.5mm
.x = ±0.25	Unit	mm	Scale	1:N	Male BTB Floating Connector
.xx = ±0.15	Drawn By	Martin	04/27'26	719A	SMD Type
.xxx = ±0.10					

<b>OUPIIN</b>			
OUPIIN ELECTRONIC(KUNSHAN) CO., LTD.			
P/N: 2631-xxMxxxD1NxT-S			
SHEET	1/2	Ver.No.	A1


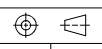
**Material:**  
**Housing:** LCP, UL94V-0, Black.  
**Contacts:** Cu-Ni-Si Alloy.  
**G00:**  
**Signal Contacts:** Gold Flash on Contact Area and Gold Flash on Solder Tail over Nickel 50~100u".  
**Power Contacts:** Gold Flash on Contact Area and Gold Flash on Solder Tail over Nickel 50~100u".  
**G03:**  
**Signal Contacts:** 3u" Gold Plated on Contact Area and Gold Flash on Solder Tail over Nickel 50~100u".  
**Power Contacts:** 3u" Gold Plated on contact Area and 80~160u" Matte Tin Plated on Solder Tail over Nickel 50~100u".  
**Solder Tab:** Brass, 80~160u" Matte Tin Plated over Nickel.  
**Electrical Characteristics:**  
**Current Rating:** 0.5A for single Pin  
 3A for Power Pin.  
**Dielectric Withstanding Voltage:** AC 150V for Single Pin.  
 AC 600V for Power Pin.  
**Insulation Resistance:** 100MΩ min for Single Pin.  
 1000MΩ min for Power Pin.  
**Contact Resistance:** 70mΩ max for Single Pin.  
 20mΩ max for Power Pin.  
**Operating Temperature:** -55°C~+105°C.  
**\*RoHS Compliant**

REV.	SPECIFICATION	ECN NO.	APPD.



2631-xxM Height	Type 1			
	Code 1		Code 2	
	18.2		13.2	
2631-xxF Height	Type 1	Type 2	Type 1	Type 2
	6.8	5.8	6.8	5.8
Mating Height	20	19	15	14

2631-xxM	Type 1	
2361-xxF R/A	Code 1	Code 2
Mating Height	21.4	16.3

<b>Tolerances</b> x. = ±0.30 .x = ±0.25 .xx = ±0.15 .xxx = ±0.10	Dwg. No.	2631D01001		<b>Title:</b> 2631 Series Pitch 0.5mm Male BTB Floating Connector SMD Type	 <b>OUPIIN ELECTRONIC(KUNSHAN) CO., LTD.</b> P/N: 2631-xxMxxxD1NxT-S	
	Projection					
	Unit	mm	Scale			1:N
	Drawn By	Martin 04/27'26				① 719A
					SHEET 2/2 Ver.No. A1	